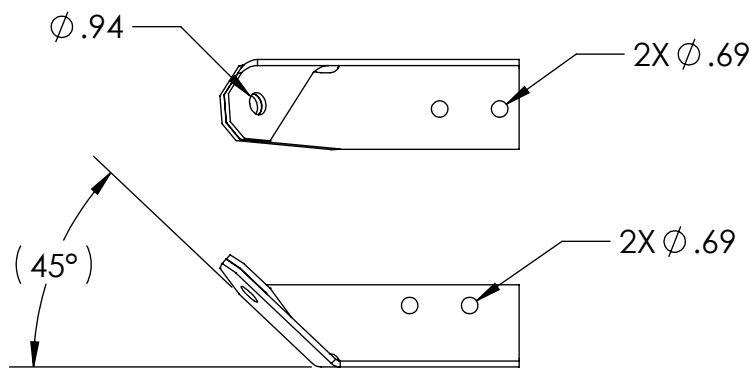


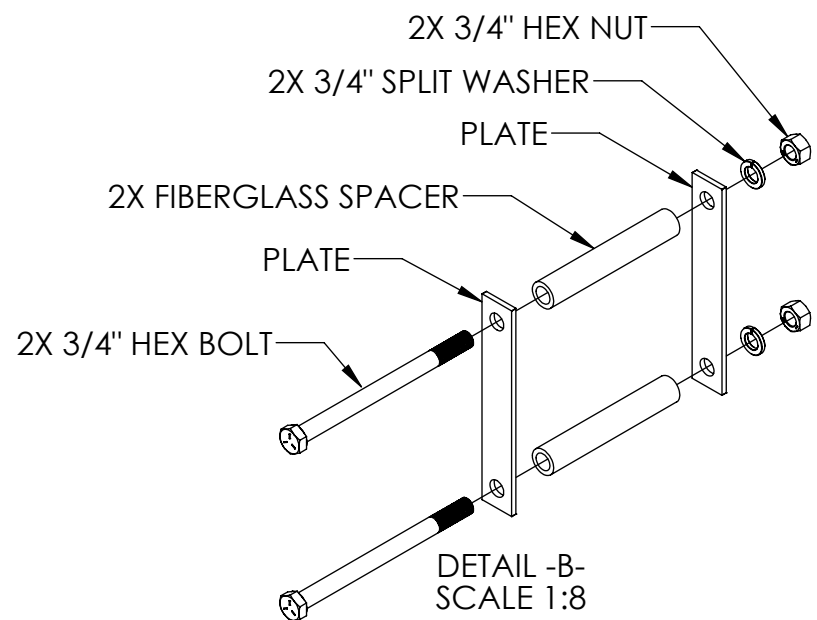
ITEM NO.	PART NUMBER	DESCRIPTION	DESCRIPTION 2	QTY
1	XBR30001860332	X-BRACE ASSEMBLY, SERIES 3000	251.61 in	2
2	BMB-037	HARDWARE KIT, CENTER CLAMP	SD	1

PUPI[®]
www.pupicrossarms.com

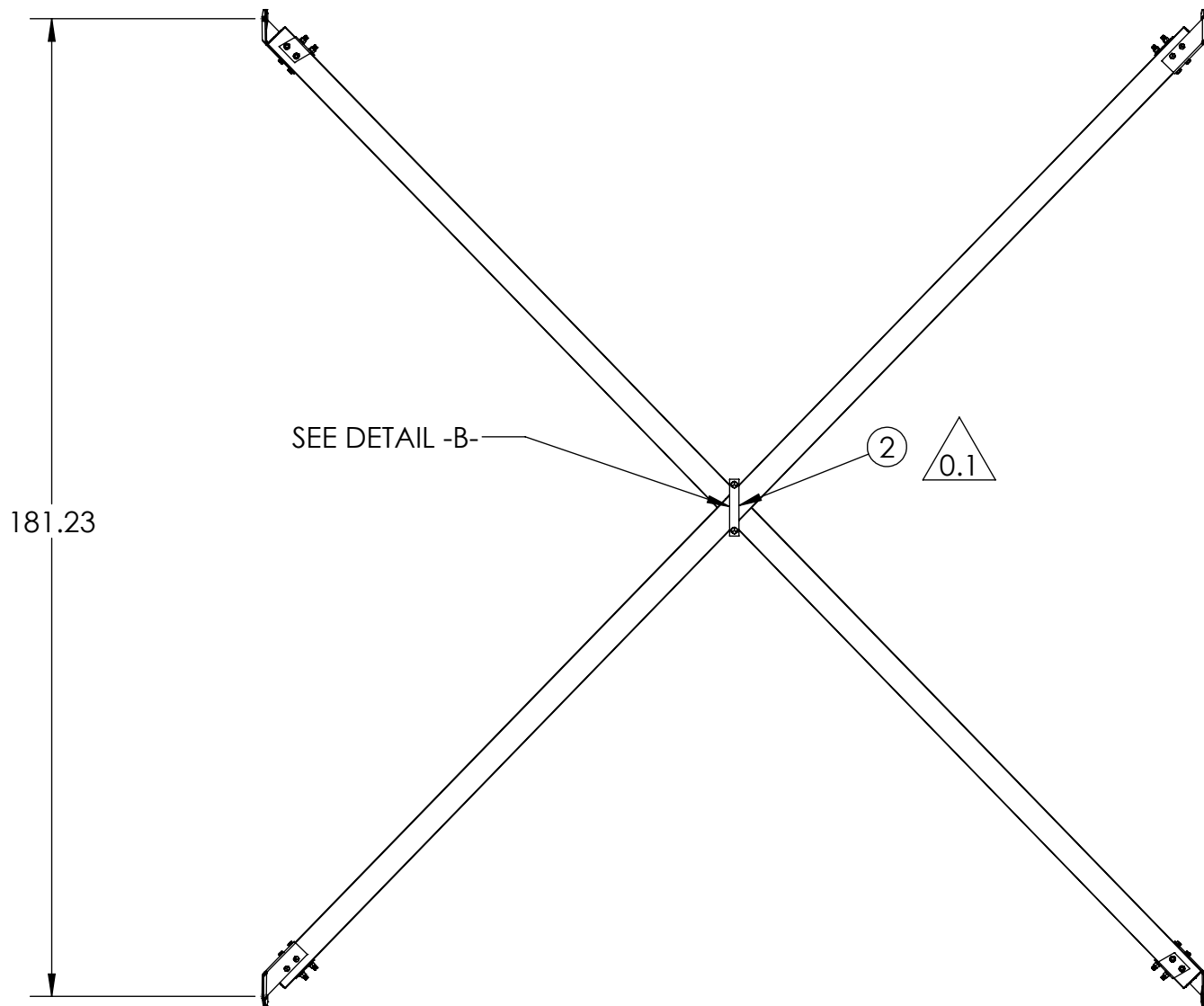
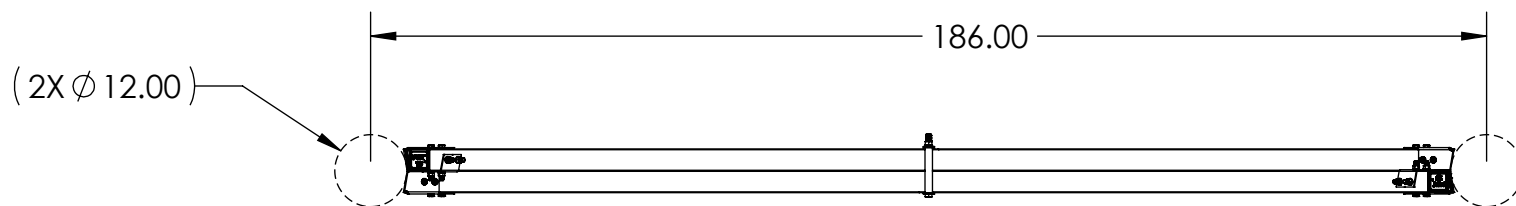
ZONE		REV.	DESCRIPTION	DATE	INITIALS
		0.1	REPLACE ALL HARDWARE COMPONENTS WITH HARDWARE KITS	2013-12-30	RAF
		0.2	MODIFY MODEL TO BE FLEXIBLE FOR VARIOUS APPLICATION AND NOTES	2015-05-14	RAF
		0.3	UPDATE DRAWING FORMAT	2015-12-22	RAF



DETAIL -A-
SCALE 1:8



DETAIL -B-
SCALE 1:8



- NOTES:
- X-BRACE IS DESIGN WITH 12 INCH DIAMETER STRAIGHT POLES
 - 7/8" HARDWARE TO FASTEN X-BRACE TO POLES **NOT SUPPLIED BY GEOTEK**
 - HARDWARE KIT BMB-037 SHIP SEPARATELY
 - BRACKETS GALVANIZED IN ACCORDANCE WITH ASTM A123/A123M OR ASTM A153/A153M
 - HARDWARE GALVANIZED PER ASTM A153/A153M OR ASTM F2329

---UNLESS OTHERWISE SPECIFIED---
DIMENSIONS ARE IN INCHES
INTERPRET DIM AND TOL PER ASME Y14.5-2009
ANGULAR: MACH ± 2°
BEND ± 2°
ONE PLACE DECIMAL ± 0.1
TWO PLACE DECIMAL ± 0.02

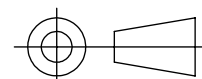
STATE:	RELEASED	2016-01-06
DRAWN:	RAF	2013-05-07
CHECKED:	TRB	2016-01-06
APPROVED:	TRB	2016-01-06
REPLACES:		



1421 SECOND AVE NW
STEWARTVILLE, MN 55976
(800) 533-1680
www.geotekinc.com

PROPRIETARY AND CONFIDENTIAL
THE INFORMATION CONTAINED IN THIS DRAWING IS THE SOLE PROPERTY OF GEOTEK. ANY REPRODUCTION IN PART OR AS A WHOLE WITHOUT THE WRITTEN PERMISSION OF GEOTEK IS PROHIBITED.

THIRD ANGLE PROJECTION



CUSTOMER SIGNATURE:

DATE:

DESCRIPTION:
X-BRACE SYSTEM, SERIES 3000
186 in



SIZE: DWG. NO.
B XBR30201860292

BEAM COLOR: REV:
GRAY 0.3

SCALE: 1:32 | WEIGHT: 222 LBS

SHEET 1 OF 1