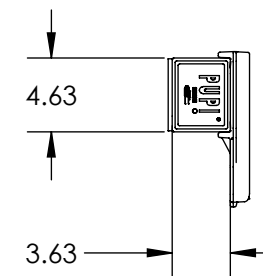
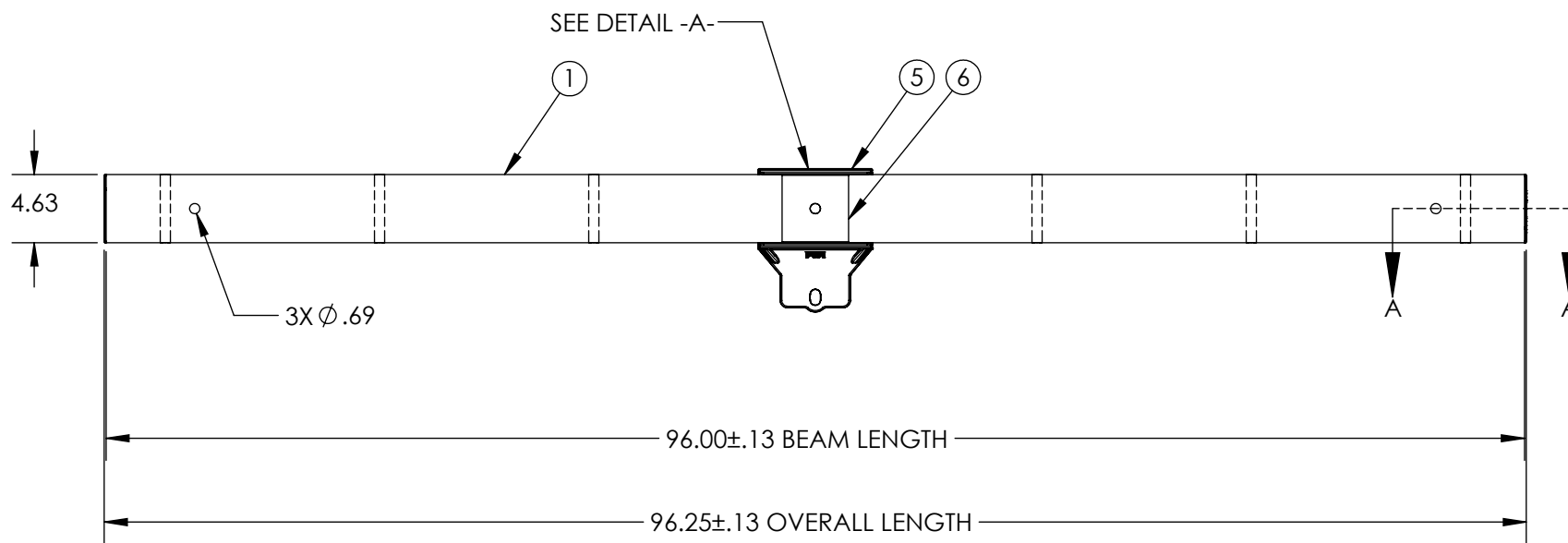
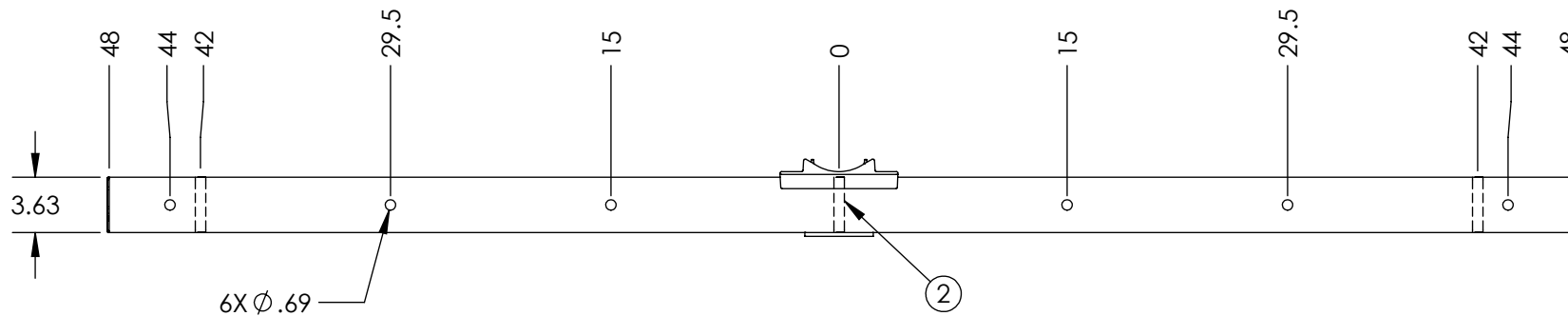
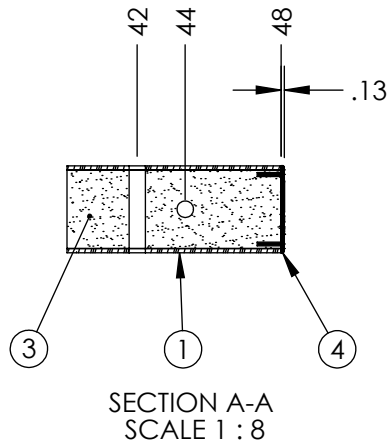
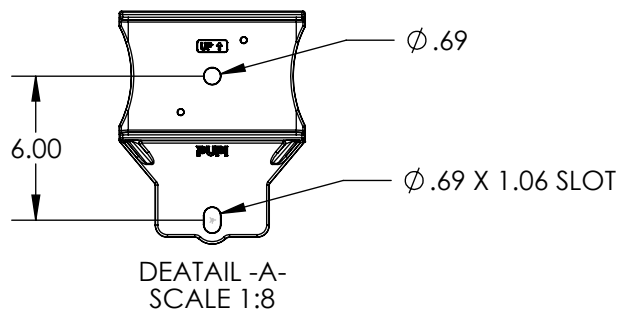


ITEM NO.	PART NUMBER	DESCRIPTION	DESCRIPTION 2	QTY
1	FB-096-22-2	BEAM, PULTRUDED STOCK	SERIES 22 x 96 in, GRAY	1
2	TG0688-0028	BUSHING	1 1/16 in x 3-1/4 in	1
3	FOAM	-	-	1
4	EC22-0004-2	END CAP	SERIES 22, GRAY	2
5	TM-0052	MOUNT, TANGENT	-	1
6	SW0688-0017	SQUARE WASHER	1 1/16 in, 4 -1/2 in x 1/4 in	1



REVISIONS			
REV.	DESCRIPTION	DATE	INITIALS
0.1	BOM UPDATE	2014-07-23	RAF



NOTES:
 1. CENTER OF MOUNT HOLE(S) TO HOLES TOLERANCE ± 0.06
 2. MOUNT AND WASHER TO BE SHIPPED SEPARATELY

<p>-----UNLESS OTHERWISE SPECIFIED-----</p> <p>DIMENSIONS ARE IN INCHES</p> <p>INTERPRET DIM AND TOL PER ASME Y14.5-2009</p> <p>ANGULAR: MACH $\pm 2^\circ$</p> <p>BEND $\pm 2^\circ$</p> <p>TWO PLACE DECIMAL ± 0.02</p> <p>THREE PLACE DECIMAL ± 0.005</p>	<p>STATE: RELEASED 2014-07-25</p> <p>DRAWN: RAF 2014-07-23</p> <p>CHECKED: ENG 2014-07-25</p> <p>APPROVED: ENG 2014-07-25</p>	<p>1421 SECOND AVE NW STEWARTVILLE, MN 55976 (800) 533-1680 www.geotekinc.com</p>
	<p>MATERIAL:</p> <p>FINISH:</p> <p>REPLACES:</p>	
<p>PROPRIETARY AND CONFIDENTIAL</p> <p>THE INFORMATION CONTAINED IN THIS DRAWING IS THE SOLE PROPERTY OF GEOTEK. ANY REPRODUCTION IN PART OR AS A WHOLE WITHOUT THE WRITTEN PERMISSION OF GEOTEK IS PROHIBITED.</p>	<p>THIRD ANGLE PROJECTION</p>	<p>SIZE: DWG. NO. B TZ220209604X2</p> <p>SCALE: 1:12 WEIGHT: 23.91 LBS</p>
		<p>REV: 0.0</p> <p>SHEET 1 OF 1</p>