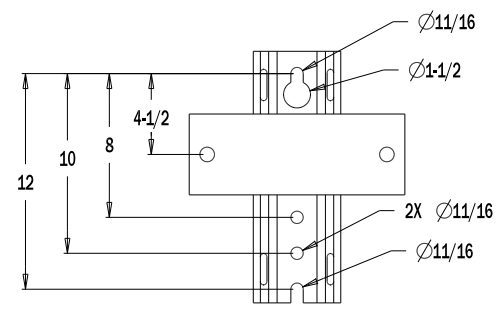
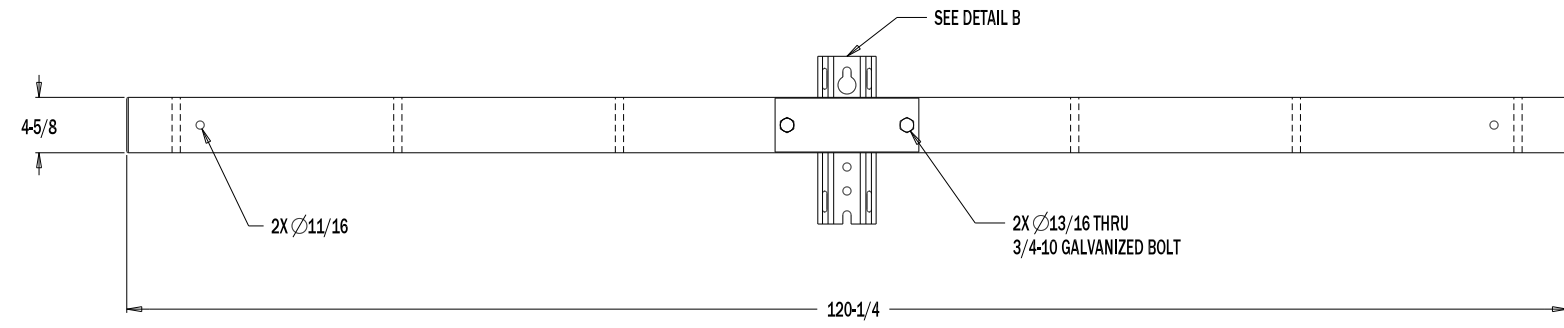
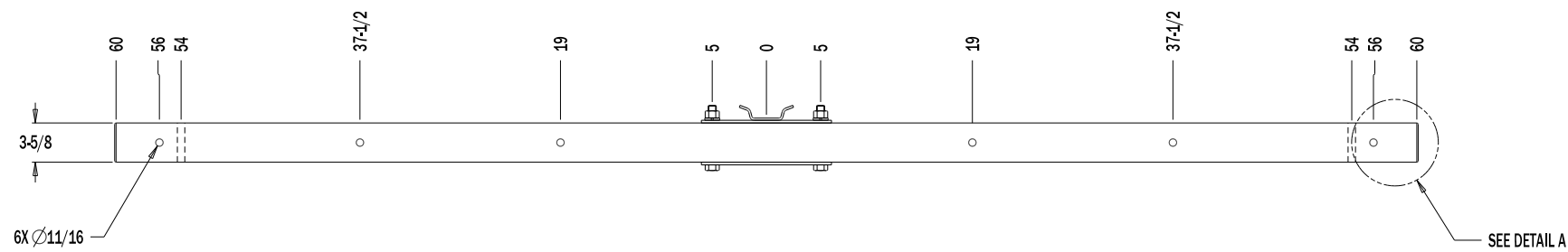
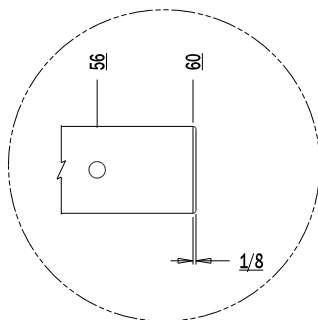


| REVISIONS |  |           |      |
|-----------|--|-----------|------|
| REV       | DESCRIPTION  | DATE      | NAME |
| 1         | ADDED REPLACES PREVIOUS ITEM NOTE IN TITLE BLOCK             | 29-NOV-11 | EFH  |
| 2         | CORRECTED REPLACES PREVIOUS ITEM: TB22-120-XB WAS TB22-120-X | 03-JAN-12 | EFH  |



DETAIL B  
SCALE 1.5:1



DETAIL A  
SCALE 2:1

|   |  |   |                       |
|---|--|---|-----------------------|
| PUPI DIVISION, GEOTEK<br>PROPRIETARY INFORMATION,<br>CONFIDENTIAL,<br>DO NOT DUPLICATE. |  | GEOTEK (507) 533-6076<br>1421 2ND AVENUE NW, STEWARTVILLE, MN 55976 |                       |
| <b>TB220012005X2</b>  |  | DRAWN BY <b>EFH</b>   | DATE <b>03-JAN-12</b> |
|   |  | SIZE <b>A</b>   | FSCM NO. <b>NONE</b>  |
| SCALE <b>1/16:1</b>   |  | DWG NO. <b>TB220012005X2</b>  | REV <b>2</b>          |
| REPLACES <b>TB22-120-XB</b>   |  | SHEET <b>1 OF 1</b>   |                       |