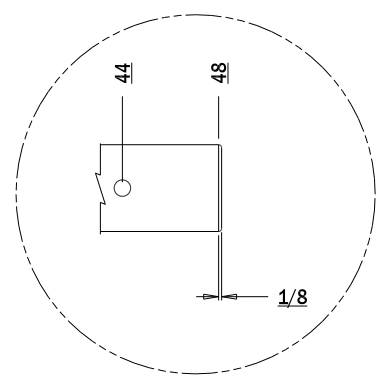
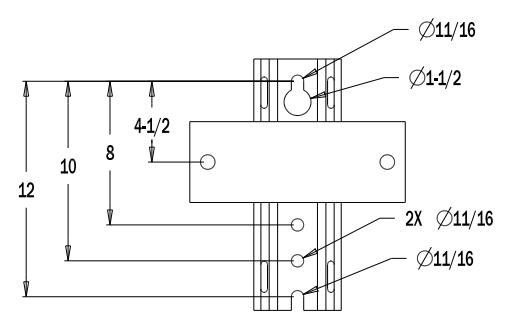
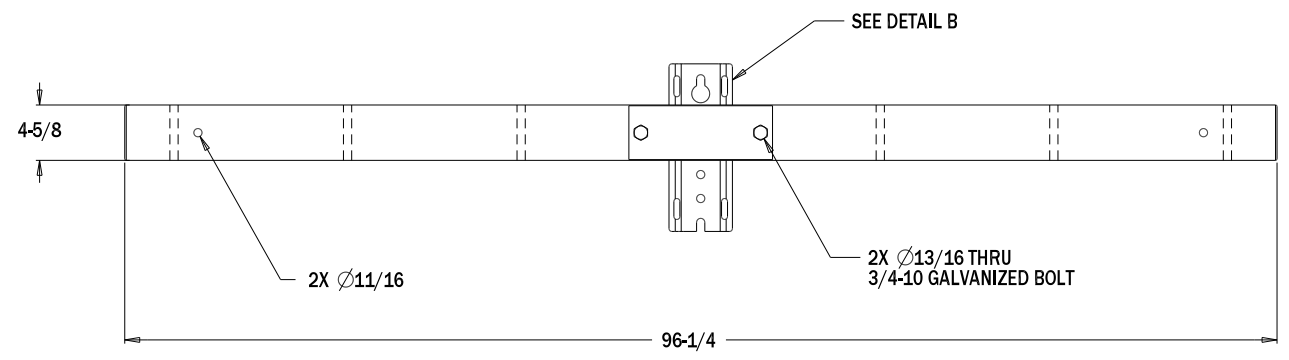
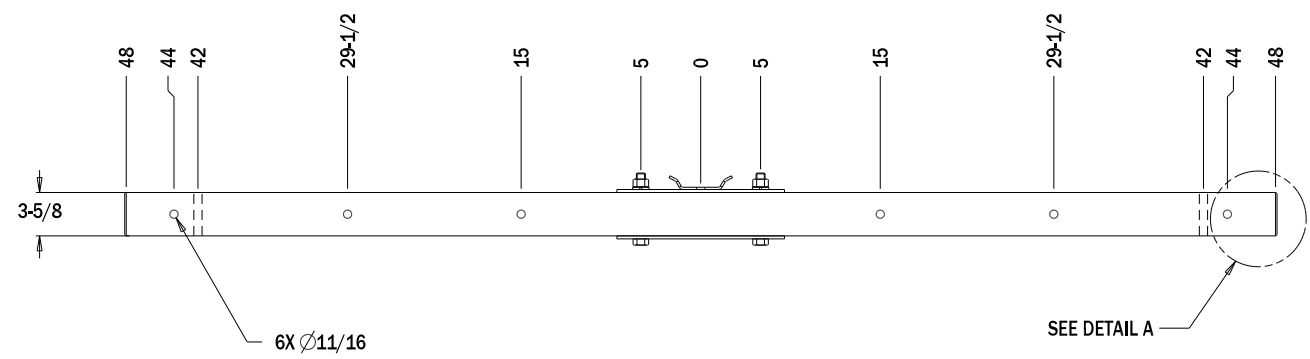


REVISIONS			
REV	DESCRIPTION	DATE	NAME
.	.	.	.
.	.	.	.



PUPI DIVISION, GEOTEK PROPRIETARY INFORMATION, CONFIDENTIAL, DO NOT DUPLICATE.	GEOTEK (507) 533-6076 1421 2ND AVENUE NW, STEWARTVILLE, MN 55976		
	<h1>TB220009604X2</h1>		
DRAWN BY EFH DATE 12-DEC-11	SIZE A SCALE 1/16:1	FSCM NO. NONE REPLACES TB22-96-04X	DWG NO. TB220009604X2 SHEET 1 OF 1
			REV 0