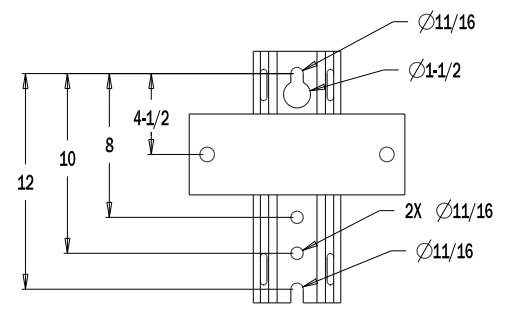
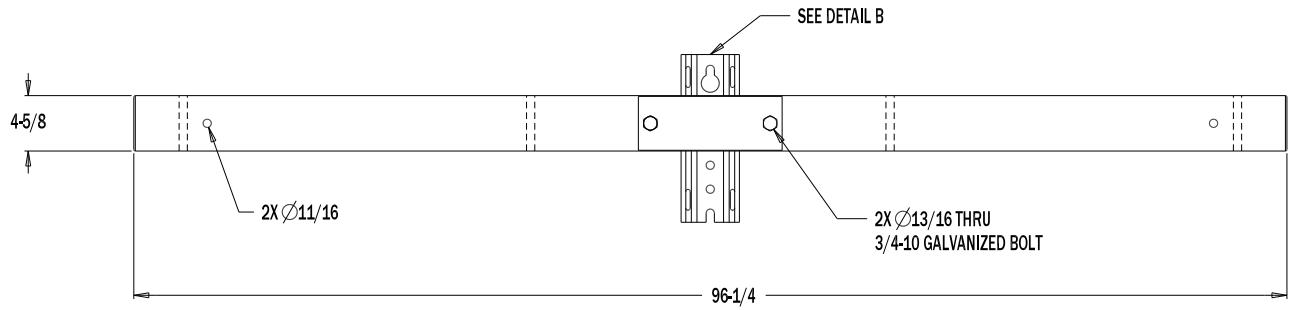
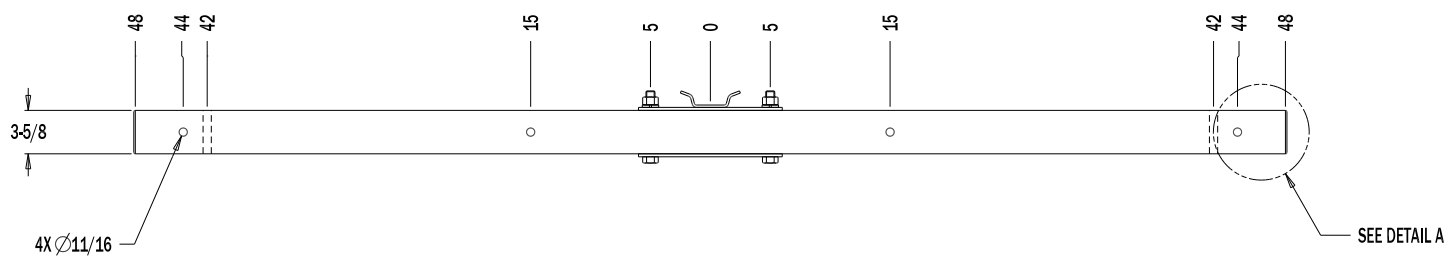
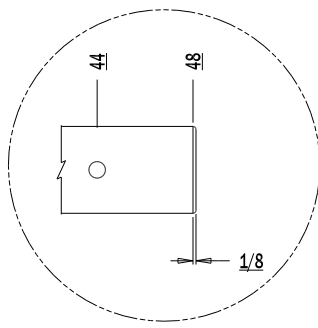


REVISIONS			
REV	DESCRIPTION	DATE	NAME
1	ADD REPLACES DRAWING NAME	18-NOV-11	EFH
2	ADDED REPLACES PREVIOUS ITEM NOTE IN TITLE BLOCK	29-NOV-11	EFH
3	CORRECTED REPLACES PREVIOUS ITEM: TB22-96-XB WAS TB22-96-X	03-JAN-12	EFH



DETAIL B
SCALE 1.5:1



DETAIL A
SCALE 2:1

PUPI DIVISION, GEOTEK PROPRIETARY INFORMATION, CONFIDENTIAL, DO NOT DUPLICATE.		GEOTEK (507) 533-6076 1421 2ND AVENUE NW, STEWARTVILLE, MN 55976		
		<h1>TB220009603X2</h1>		
DRAWN BY EFH	SIZE A	FSCM NO. NONE	DWG NO. TB220009603X2	REV 3
DATE 03-JAN-12	SCALE 1/16:1 REPLACES TB22-96-XB		SHEET 1 OF 1	