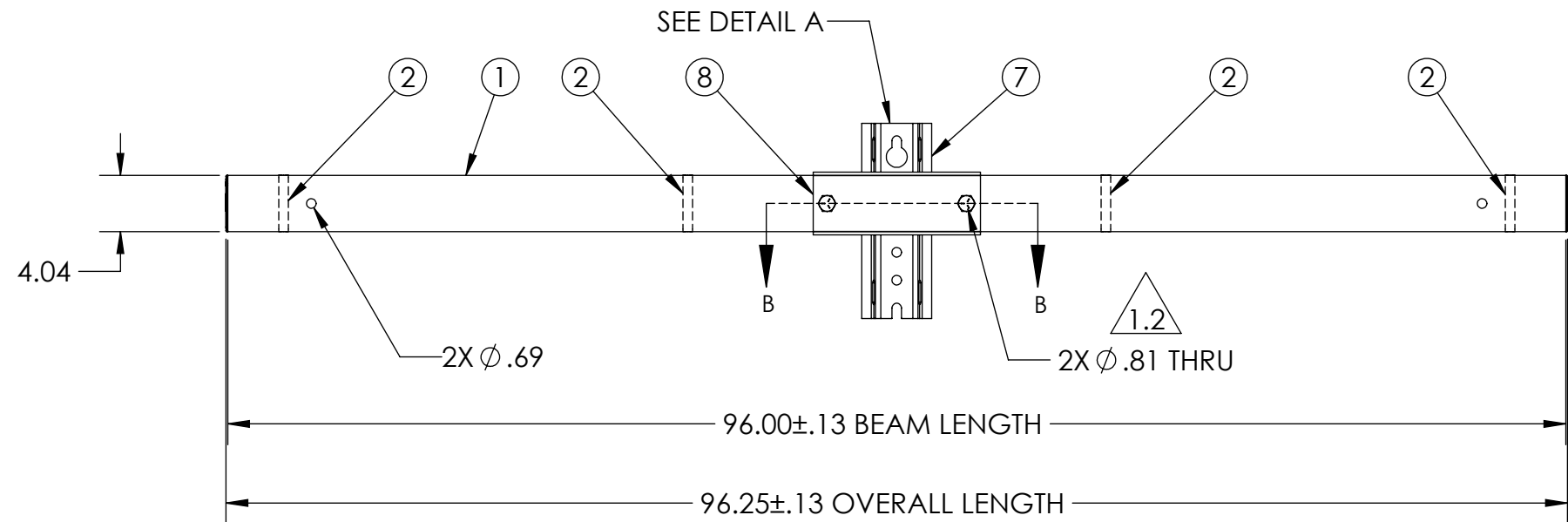
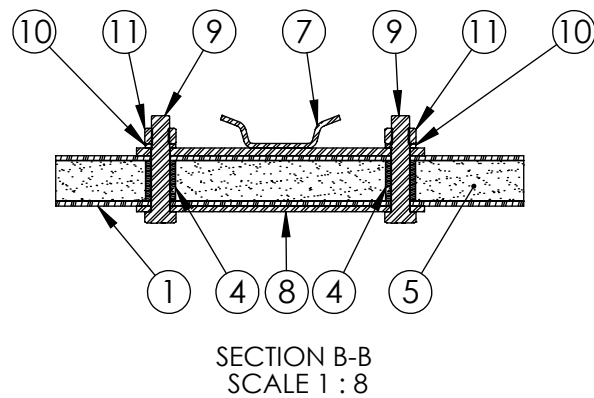
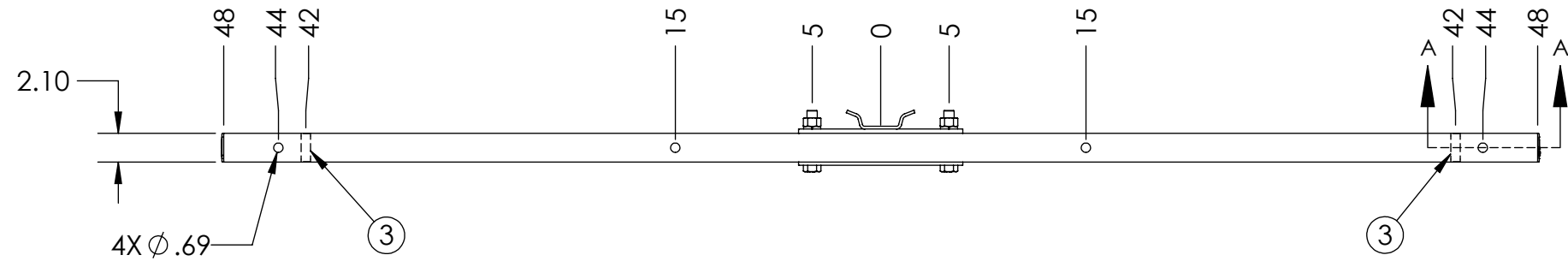
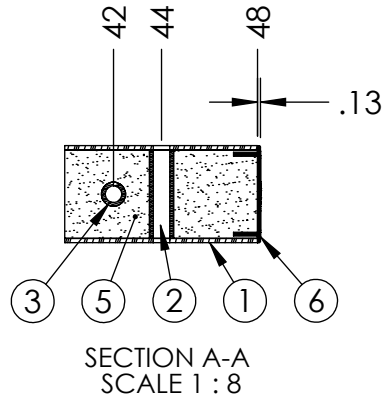
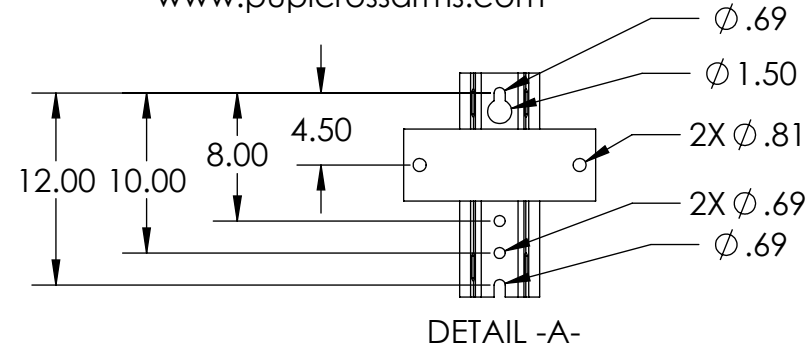



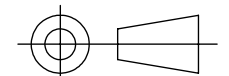
ITEM NO.	PART NUMBER	DESCRIPTION	DESCRIPTION 2	QTY.
1	FB-096-1000-2	BEAM, PULTRUDED STOCK	SERIES 1000 x 96 in, GRAY	1
2	TG0688-0015	BUSHING	11/16 in x 3-11/16 in	4
3	TG0688-0016	BUSHING	11/16 in x 1-11/16 in	2
4	TG0813-0018	BUSHING	13/16 in x 1-11/16 in	2
5	FOAM			1
6	EC10-0007-2	END CAP	SERIES 1000, GRAY	2
7	TM-0044	MOUNT ASSEMBLY, TANGENT	SD	1
8	PL-0003	PLATE, FRONT		1
9	HB0750-0005	HEX BOLT	3/4 in - 10 x 4 in	2
10	LW0750-0001	LOCK WASHER	3/4 in	2
11	HN0750-0001	HEX NUT	3/4 in - 10	2

**PUPI®**  
www.pupicrossarms.com

REVISIONS			
REV.	DESCRIPTION	DATE	INITIALS
1.0	ADDED REPLACES PREVIOUS ITEM NOTE IN TITLE BLOCK	2011-11-29	EFH
1.1	REDRAWN IN SOLIDWORKS	2013-01-25	RAF
1.2	ADD MISSING DIMENSION	2013-03-07	RAF



NOTES:  
1. CENTER OF MOUNT HOLE(S) TO HOLES TOLERANCE ±0.06

<p>-----UNLESS OTHERWISE SPECIFIED-----</p> <p>DIMENSIONS ARE IN INCHES</p> <p>INTERPRET DIM AND TOL PER ASME Y14.5-2009</p> <p>ANGULAR: MACH ±2°</p> <p>BEND ±2°</p> <p>TWO PLACE DECIMAL ±0.02</p> <p>THREE PLACE DECIMAL ±0.005</p>	STATE: RELEASED 2013-03-07	 <p>1421 SECOND AVE NW STEWARTVILLE, MN 55976 (800) 533-1680 www.geotekinc.com</p>	
	<p>DRAWN: RAF 2013-01-25</p> <p>CHECKED: BRH 2013-03-07</p> <p>APPROVED: BRH 2013-03-07</p> <p>MATERIAL:</p> <p>FINISH:</p> <p>REPLACES: TB1000-96-03X</p>		<p>DESCRIPTION: TANGENT ASSEMBLY, SERIES 1000 96 in, RUS 03</p>
<p><b>PROPRIETARY AND CONFIDENTIAL</b></p> <p>THE INFORMATION CONTAINED IN THIS DRAWING IS THE SOLE PROPERTY OF GEOTEK. ANY REPRODUCTION IN PART OR AS A WHOLE WITHOUT THE WRITTEN PERMISSION OF GEOTEK IS PROHIBITED.</p>	<p>THIRD ANGLE PROJECTION</p> 	<p>SIZE: DWG. NO. <b>B</b> TB100009603X2</p> <p>SCALE: 1:12 WEIGHT: 29.08 LBS</p>	<p>REV: 1.2</p> <p>SHEET 1 OF 1</p>