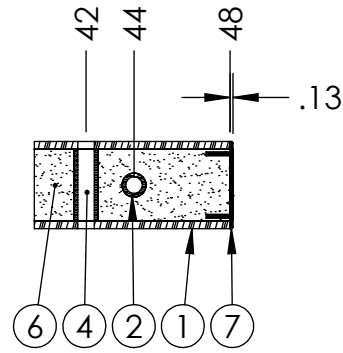


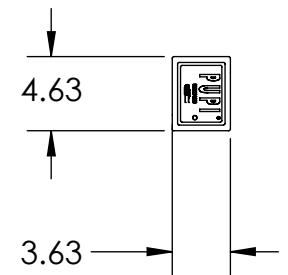
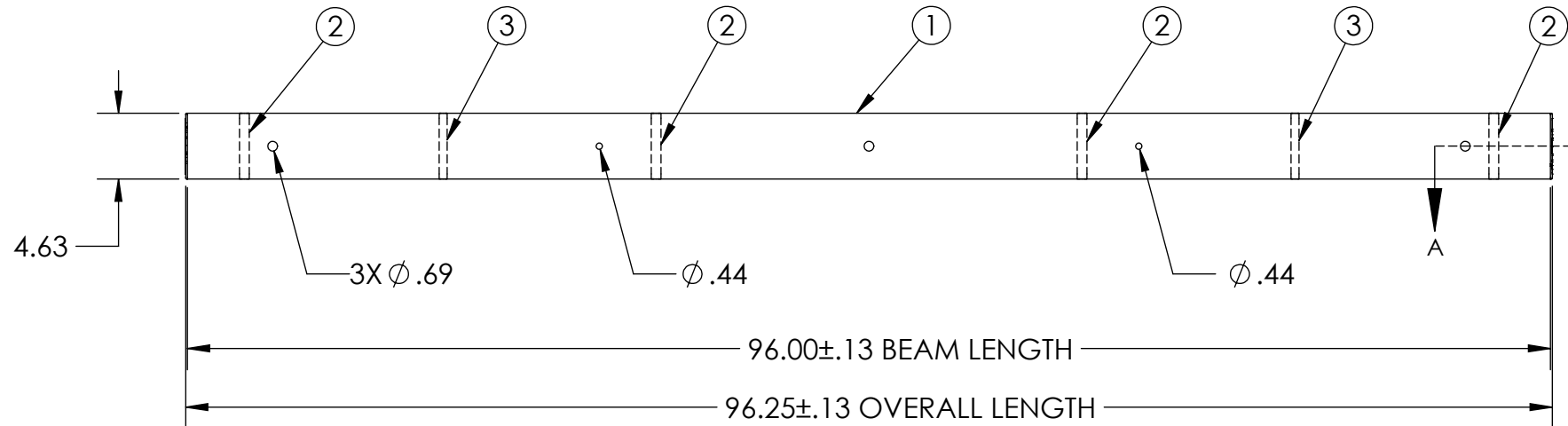
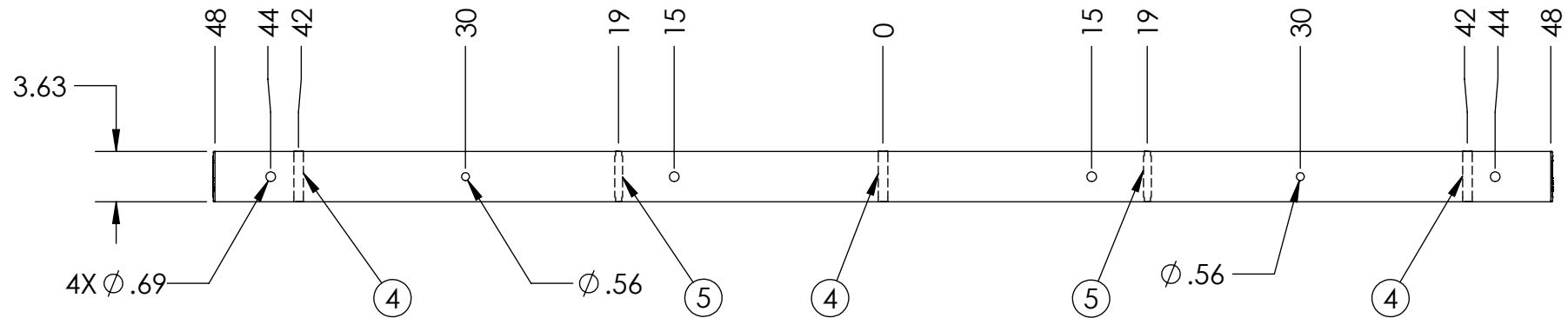
ITEM NO.	PART NUMBER	DESCRIPTION	DESCRIPTION 2	QTY
1	FB-096-3000-2	BEAM, PULTRUDED STOCK	SERIES 3000 x 96 in, GRAY	1
2	TG0688-0039	BUSHING	11/16 in x 3-15/16 in	4
3	TG0563-0037	BUSHING	9/16 in x 3-15/16 in	2
4	TG0688-0040	BUSHING	11/16 in x 3 in	3
5	TG0563-0038	BUSHING	9/16 in x 3 in	2
6	FOAM	-	-	1
7	EC30-0002-2	END CAP	SERIES 3000, GRAY	2

**PUPI**<sup>®</sup>  
www.pupicrossarms.com


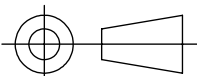
REVISIONS			
REV.	DESCRIPTION	DATE	INITIALS
1.0	ADDED REPLACES PREVIOUS ITEM NOTE IN TITLE BLOCK	2011-11-29	EFH
1.1	REDRAWN IN SOLIDWORKS	2013-02-14	RAF



SECTION A-A  
SCALE 1 : 8



NOTES:  
1. CENTER OF MOUNT HOLE(S) TO HOLES TOLERANCE ±0.06

<p>-----UNLESS OTHERWISE SPECIFIED----- DIMENSIONS ARE IN INCHES INTERPRET DIM AND TOL PER ASME Y14.5-2009 ANGULAR: MACH ±2° BEND ±2° TWO PLACE DECIMAL ±0.02 THREE PLACE DECIMAL ±0.005</p>	STATE: RELEASED 2013-03-05	 <p>1421 SECOND AVE NW STEWARTVILLE, MN 55976 (800) 533-1680 www.geotekinc.com</p>
	DRAWN: RAF 2013-02-14 CHECKED: BRH 2013-03-05 APPROVED: BRH 2013-03-05 MATERIAL: FINISH: REPLACES: T3000-96-03X	
<p><b>PROPRIETARY AND CONFIDENTIAL</b> THE INFORMATION CONTAINED IN THIS DRAWING IS THE SOLE PROPERTY OF GEOTEK. ANY REPRODUCTION IN PART OR AS A WHOLE WITHOUT THE WRITTEN PERMISSION OF GEOTEK IS PROHIBITED.</p>	THIRD ANGLE PROJECTION 	SIZE: DWG. NO. <b>B T300009603X2</b> SCALE: 1:12 WEIGHT: 35.48 LBS
		REV: <b>1.1</b> SHEET 1 OF 1