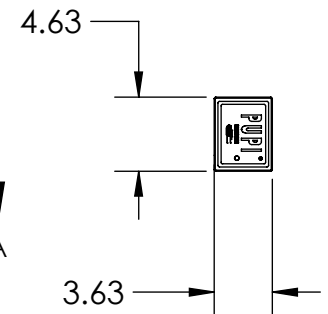
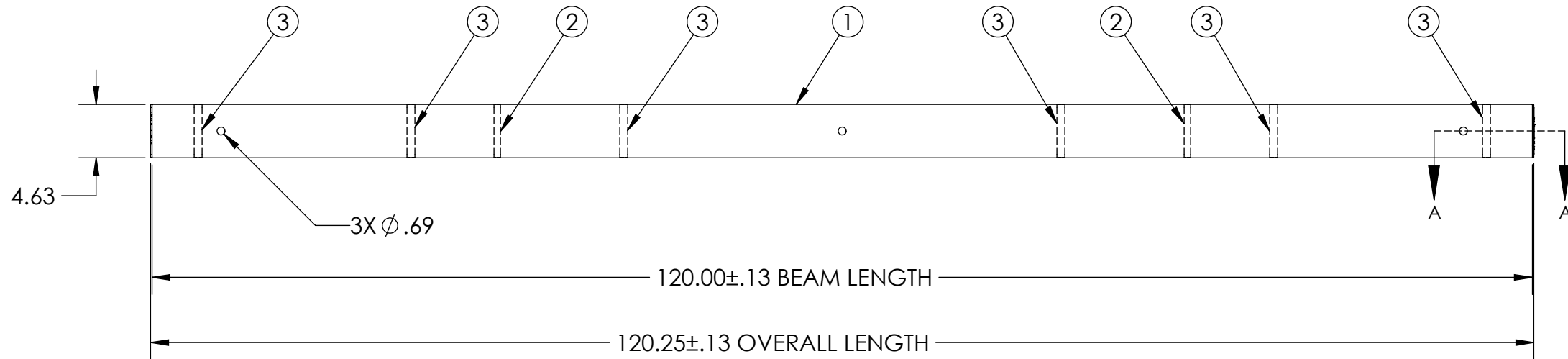
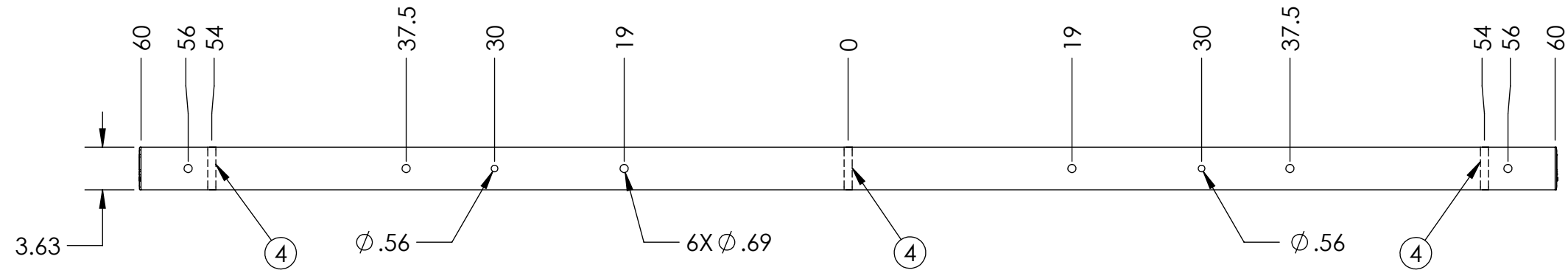
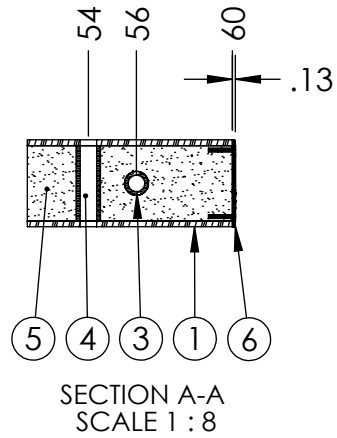



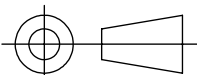
ITEM NO.	PART NUMBER	DESCRIPTION	DESCRIPTION 2	QTY
1	FB-120-2500-2	BEAM, PULTRUDED STOCK	SERIES 2500 x 120 in, GRAY	1
2	TG0563-0001	BUSHING	9/16 in x 4-1/16 in	2
3	TG0688-0003	BUSHING	11/16 in x 4-1/16 in	6
4	TG0688-0004	BUSHING	11/16 in x 3-1/8 in	3
5	FOAM	-	-	1
6	EC25-0003-2	END CAP	SERIES 2500, GRAY	2

PUPI[®]
www.pupicrossarms.com

REVISIONS			
REV.	DESCRIPTION	DATE	INITIALS
1.0	ADDED REPLACES PREVIOUS ITEM NOTE IN TITLE BLOCK	2011-11-29	EFH
1.1	REDRAWN IN SOLIDWORKS	2013-02-14	RAF



NOTES:
1. CENTER OF MOUNT HOLE(S) TO HOLES TOLERANCE ±0.06

<p>-----UNLESS OTHERWISE SPECIFIED----- DIMENSIONS ARE IN INCHES INTERPRET DIM AND TOL PER ASME Y14.5-2009 ANGULAR: MACH ±2° BEND ±2° TWO PLACE DECIMAL ±0.02 THREE PLACE DECIMAL ±0.005</p>	STATE: RELEASED 2013-03-05	 <p>1421 SECOND AVE NW STEWARTVILLE, MN 55976 (800) 533-1680 www.geotekinc.com</p>
	DRAWN: RAF 2013-02-14 CHECKED: BRH 2013-03-05 APPROVED: BRH 2013-03-05 MATERIAL: FINISH: REPLACES: T2500-120-05X	
<p>PROPRIETARY AND CONFIDENTIAL THE INFORMATION CONTAINED IN THIS DRAWING IS THE SOLE PROPERTY OF GEOTEK. ANY REPRODUCTION IN PART OR AS A WHOLE WITHOUT THE WRITTEN PERMISSION OF GEOTEK IS PROHIBITED.</p>	THIRD ANGLE PROJECTION 	SIZE: DWG. NO. B T250012005X2 SCALE: 1:12 WEIGHT: 34.84 LBS
		REV: 1.1 SHEET 1 OF 1