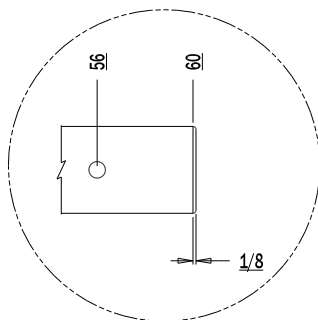
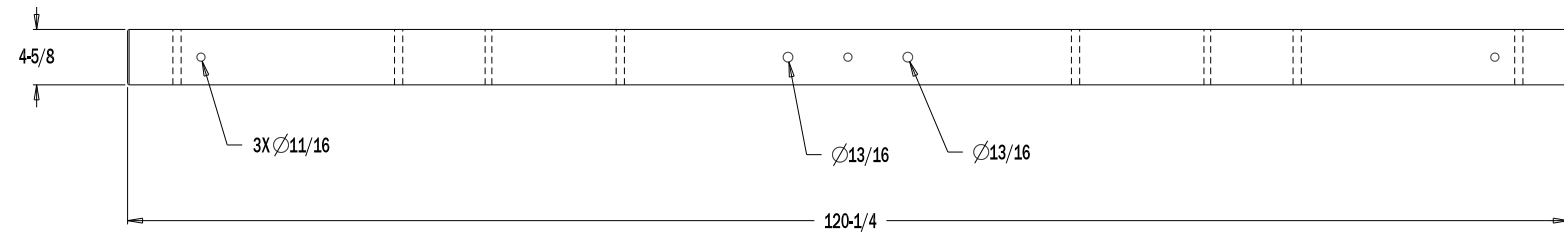
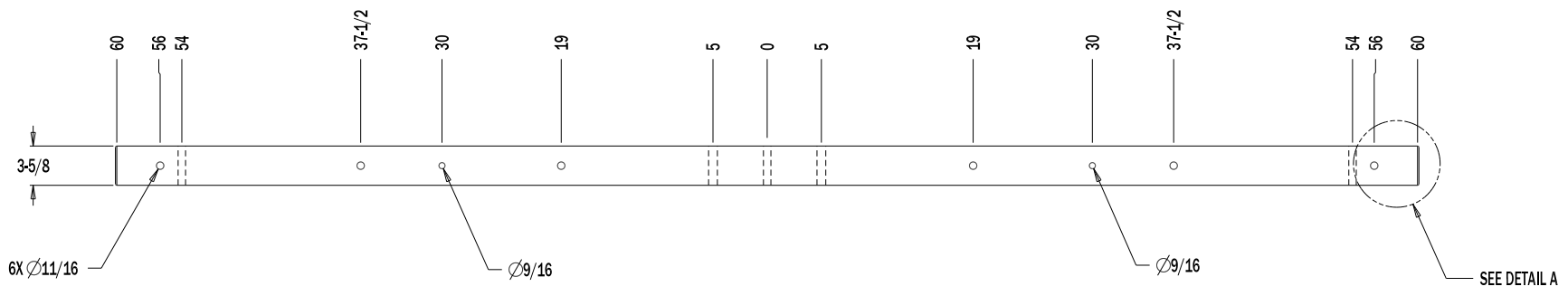


REVISIONS			
REV	DESCRIPTION	DATE	NAME
1	ADDED REPLACES PREVIOUS ITEM NOTE IN TITLE BLOCK	29-NOV-11	EFH
2	CORRECT REPLACES PREVIOUS ITEM: C22-120-XB WAS C22-120-X	03-JAN-12	EFH



DETAIL A  
SCALE 2:1

PUPI DIVISION, GEOTEK PROPRIETARY INFORMATION, CONFIDENTIAL, DO NOT DUPLICATE.		GEOTEK (507) 533-6076 1421 2ND AVENUE NW, STEWARTVILLE, MN 55976	
		<b>T220012005X2</b>	
DRAWN BY EFH	SIZE A	FSCM NO. NONE	DWG NO. T220012005X2
DATE 03-JAN-12	SCALE 1/16:1	REPLACES C22-120-XB	REV 2
		SHEET 1 OF 1	