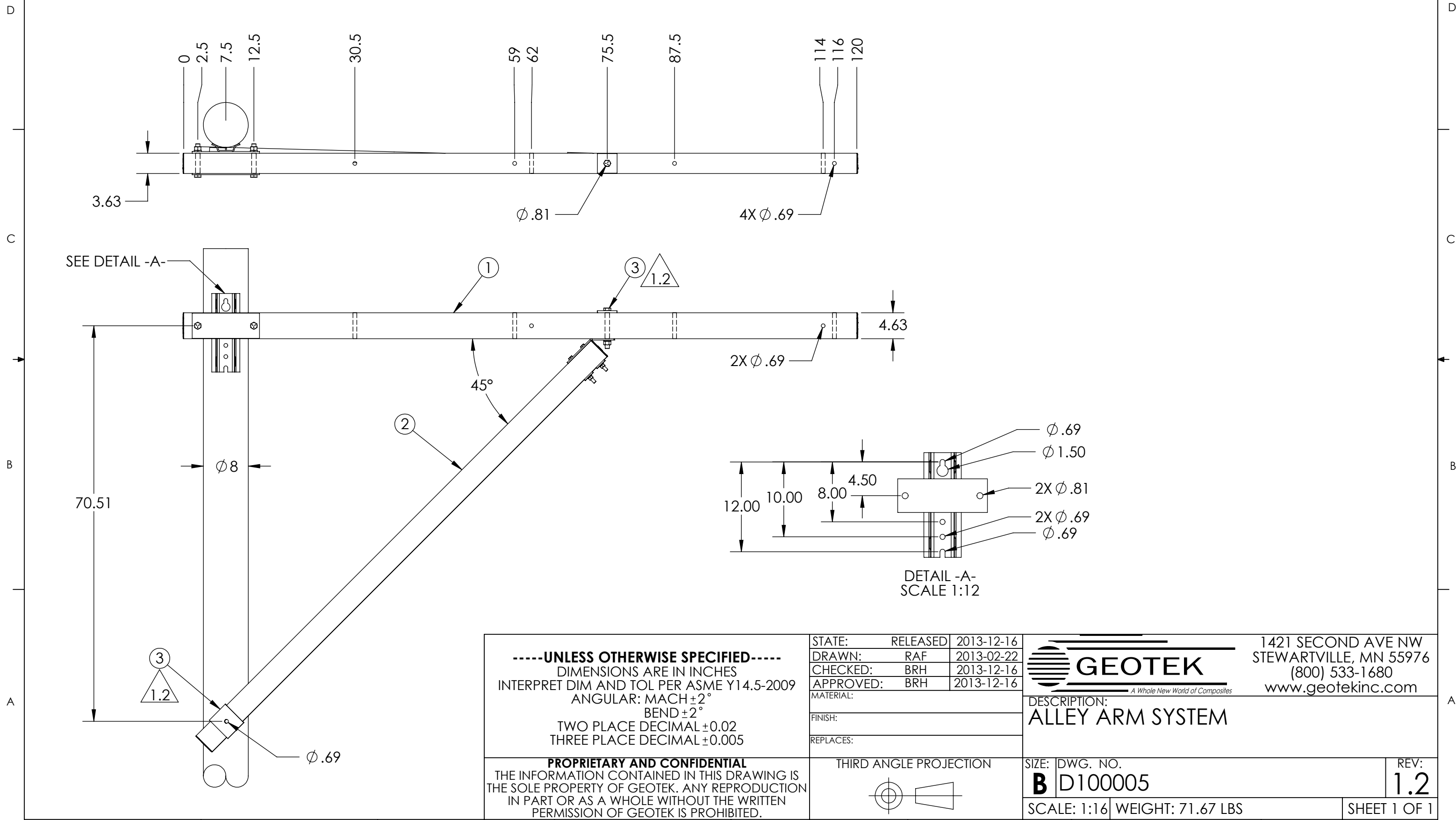


ITEM NO.	PART NUMBER	DESCRIPTION	DESCRIPTION 2	QTY
1	AB2000120SPX2	ALLEY ARM ASSEMBLY	120 in, SERIES 2000	1
2	B0096BMSPX32	BRACE ASSEMBLY, SERIES 1000	96.2 in	1
3	BMB-034	HARDWARE KIT, ALLEY ARM	11/16 in	1

PUPI[®]
www.pupicrossarms.com


REVISIONS			
REV.	DESCRIPTION	DATE	INITIALS
1.0	CORRECTED BRACE PART # TO B0096BMSPX32	2011-11-18	BRH
1.1	REDRAWN IN SOLIDWORKS	2013-02-22	RAF
1.2	REPLACE HARDWARE COMPONENTS WITH HARDWARE KIT	2013-12-16	RAF



-----UNLESS OTHERWISE SPECIFIED-----
 DIMENSIONS ARE IN INCHES
 INTERPRET DIM AND TOL PER ASME Y14.5-2009
 ANGULAR: MACH ±2°
 BEND ±2°
 TWO PLACE DECIMAL ±0.02
 THREE PLACE DECIMAL ±0.005

PROPRIETARY AND CONFIDENTIAL
 THE INFORMATION CONTAINED IN THIS DRAWING IS
 THE SOLE PROPERTY OF GEOTEK. ANY REPRODUCTION
 IN PART OR AS A WHOLE WITHOUT THE WRITTEN
 PERMISSION OF GEOTEK IS PROHIBITED.

STATE:	RELEASED	2013-12-16
DRAWN:	RAF	2013-02-22
CHECKED:	BRH	2013-12-16
APPROVED:	BRH	2013-12-16
MATERIAL:		
FINISH:		
REPLACES:		

 A Whole New World of Composites	1421 SECOND AVE NW STEWARTVILLE, MN 55976 (800) 533-1680 www.geotekinc.com	
	DESCRIPTION: ALLEY ARM SYSTEM	
SIZE: B DWG. NO.: D100005 SCALE: 1:16	WEIGHT: 71.67 LBS	REV: 1.2 SHEET 1 OF 1