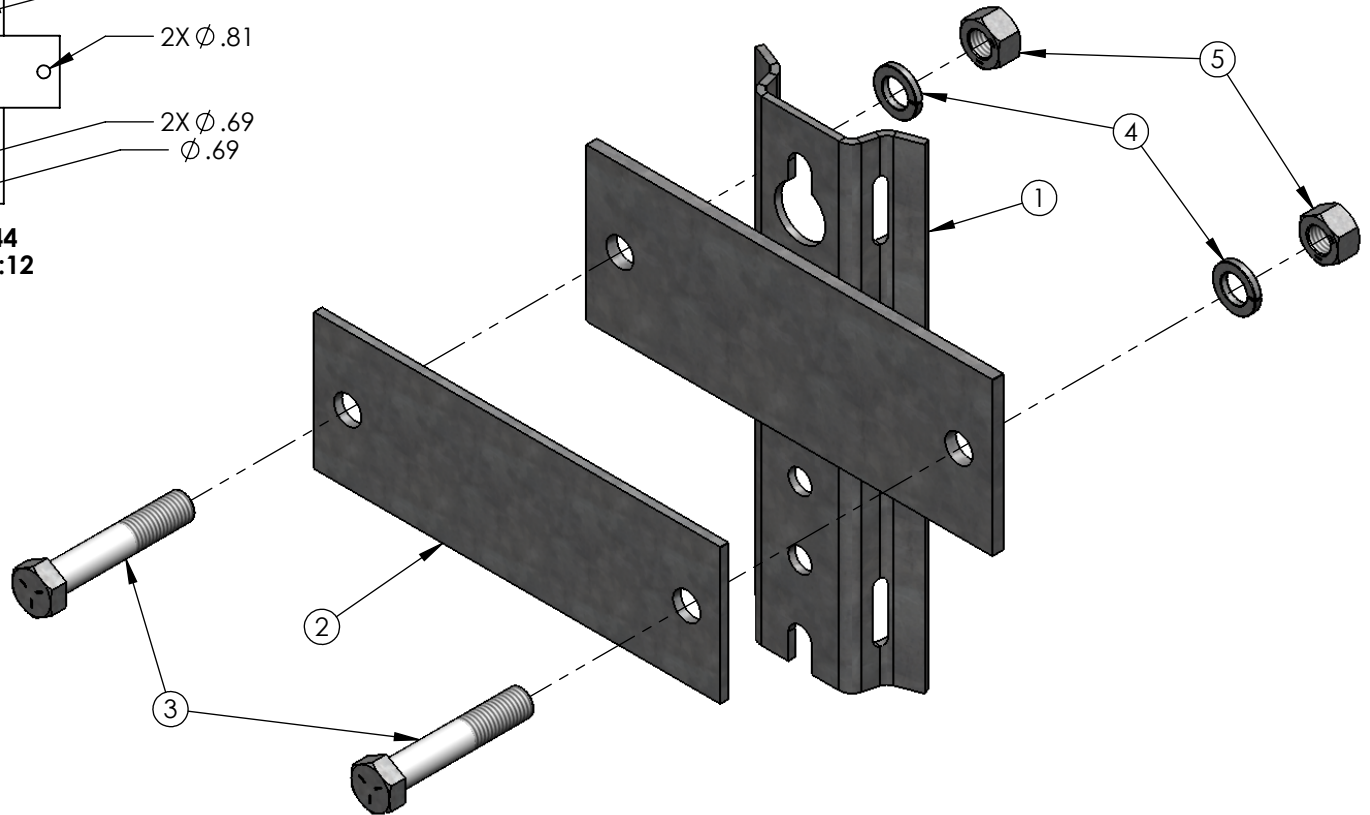
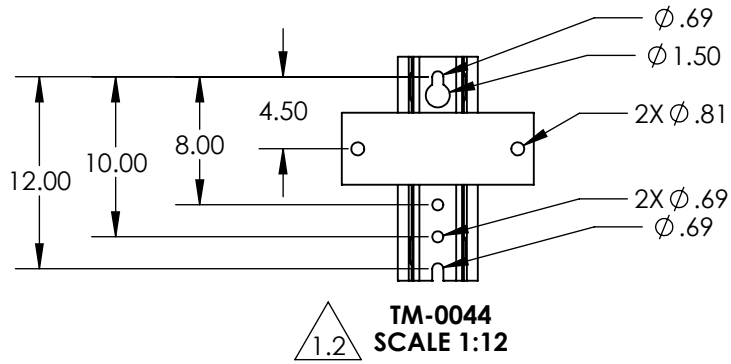


| ITEM NO. | PART NUMBER | DESCRIPTION | DESCRIPTION 2 | QTY |
|----------|-------------|-------------------------|--------------------|-----|
| 1 | TM-0044 | MOUNT ASSEMBLY, TANGENT | SD | 1 |
| 2 | PL-0003 | PLATE, FRONT | | 1 |
| 3 | HB0750-0005 | HEX BOLT | 3/4 in - 10 x 4 in | 2 |
| 4 | LW0750-0001 | LOCK WASHER | 3/4 in | 2 |
| 5 | HN0750-0001 | HEX NUT | 3/4 in - 10 | 2 |

PUPI[®]
www.pupicrossarms.com

| REVISIONS | | | |
|-----------|---------------------------------|------------|----------|
| REV. | DESCRIPTION | DATE | INITIALS |
| 1.1 | REDRAWN IN SOLIDWORKS | 2013-04-19 | BRH |
| 1.2 | ADD VIEW FOR ADDITIONAL DETAILS | 2013-08-21 | RAF |



| | | | |
|--|-----------------------------------|------------|--|
| <p>-----UNLESS OTHERWISE SPECIFIED----- DIMENSIONS ARE IN INCHES INTERPRET DIM AND TOL PER ASME Y14.5-2009 ANGULAR: MACH $\pm 2^\circ$ BEND $\pm 2^\circ$ TWO PLACE DECIMAL ± 0.02 THREE PLACE DECIMAL ± 0.005</p> | STATE: RELEASED | 2013-10-18 | <p>1421 SECOND AVE NW STEWARTVILLE, MN 55976 (800)533-1680 www.geotekinc.com</p> |
| | DRAWN: RAF | 2013-04-19 | |
| | CHECKED: BRH | 2013-10-18 | |
| | APPROVED: BRH | 2013-10-18 | |
| <p>PROPRIETARY AND CONFIDENTIAL THE INFORMATION CONTAINED IN THIS DRAWING IS THE SOLE PROPERTY OF GEOTEK. ANY REPRODUCTION IN PART OR AS A WHOLE WITHOUT THE WRITTEN PERMISSION OF GEOTEK IS PROHIBITED.</p> | MATERIAL: | | DESCRIPTION: HARDWARE KIT, TANGENT SD MOUNT |
| | FINISH: | | SIZE: DWG NO: A TMB-1 |
| | REPLACES: | | REV: 1.2 |
| | <p>THIRD ANGLE PROJECTION</p> | SCALE: 1:4 | WEIGHT: 13.98 LBS |
| | | | SHEET 1 of 1 |