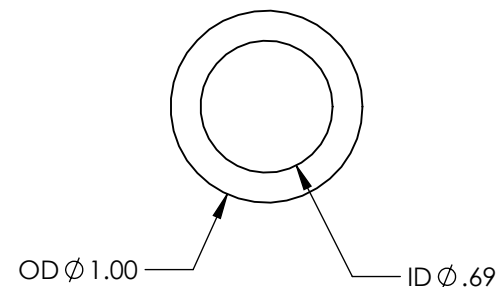
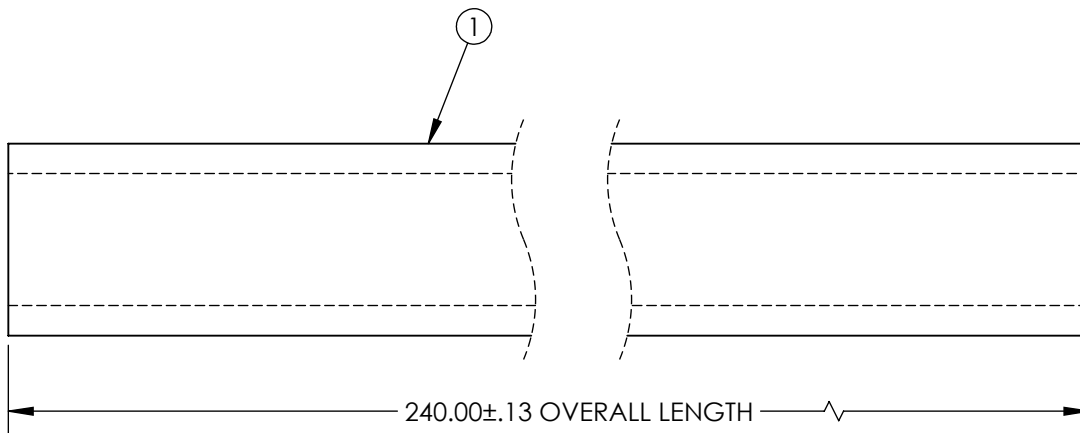



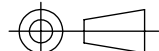
ITEM NO.	PART NUMBER	DESCRIPTION	DESCRIPTION 2	QTY
1	B-11-240-2	BUSHING, PULTRUDED STOCK	1 1/16 in x 240 in, GRAY	1

PUPI[®]
www.pupicrossarms.com

REVISIONS			
REV.	DESCRIPTION	DATE	INITIALS
0.1	REDRAWN IN SOLIDWORKS	2013-03-26	RAF
1.0	RESTRUCTURE BOM AND ADD TABLE TO DRAWING	2013-08-27	RAF

1.0



<p>-----UNLESS OTHERWISE SPECIFIED----- DIMENSIONS ARE IN INCHES INTERPRET DIM AND TOL PER ASME Y14.5-2009 ANGULAR: MACH $\pm 2^\circ$ BEND $\pm 2^\circ$ TWO PLACE DECIMAL ± 0.02 THREE PLACE DECIMAL ± 0.005</p>	STATE: RELEASED	2013-08-27	 <p>1421 SECOND AVE NW STEWARTVILLE, MN 55976 (800)533-1680 www.geotekinc.com</p>
	DRAWN: RAF	2013-08-27	
	CHECKED: TSK	2013-08-27	
	APPROVED: TSK	2013-08-27	
<p>PROPRIETARY AND CONFIDENTIAL THE INFORMATION CONTAINED IN THIS DRAWING IS THE SOLE PROPERTY OF GEOTEK. ANY REPRODUCTION IN PART OR AS A WHOLE WITHOUT THE WRITTEN PERMISSION OF GEOTEK IS PROHIBITED.</p>	MATERIAL:	DESCRIPTION: TUBE, 1 1/16 in 240 in	
	FINISH:	SIZE: DWG NO: A WT240001B2	
	REPLACES: -	SCALE: 1:1 WEIGHT: 6.62 LBS	
 THIRD ANGLE PROJECTION		REV: 1.0	SHEET 1 of 1

5

4

3

2

1