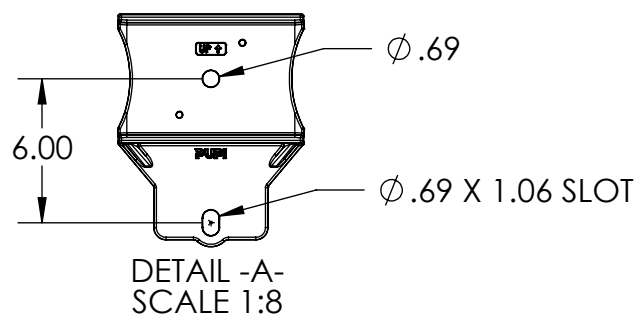


ITEM NO.	PART NUMBER	DESCRIPTION	DESCRIPTION 2	QTY
1	FB-057-22-2	BEAM, PULTRUDED STOCK	SERIES 22 x 57 in, GRAY	1
2	TG0563-0025	BUSHING	9/16 in x 4-1/4 in	3
3	TG0563-0026	BUSHING	9/16 in x 3-1/4 in	1
4	FOAM	-	-	1
5	EC22-0004-2	END CAP	SERIES 22, GRAY	2
6	TM-0052	MOUNT, TANGENT	-	1
7	HS0164-0001	HEX SCREW, SELF-TAPPING	#8-18 x 1 in	2
8	SW0688-0017	SQUARE WASHER	11/16 in, 4 -1/2 in x 1/4 in	1
9	BK-0118	ANGLE BRACKET		2
10	BK-0120	T-BRACKET		1
11	HB0500-0009	HEX BOLT	1/2 in -13 x 6 in	3
12	SW0563-0022	SQUARE WASHER	9/16 in, 3-1/2 in x 1/4 in	3
13	TW0500-0008	TOOTH LOCK WASHER	1/2 in	6
14	LW0500-0007	LOCK WASHER	1/2 in	9
15	HN0500-0005	HEX NUT	1/2 in - 13	9
16	PN0500-0010	PUSHNUT		6
17	CB0500-0008	CARRIAGE BOLT	1/2 in - 13 x 1-1/2 in	6

PUPI[®]
www.pupicrossarms.com

REVISIONS			
REV.	DESCRIPTION	DATE	INITIALS



D

D

C

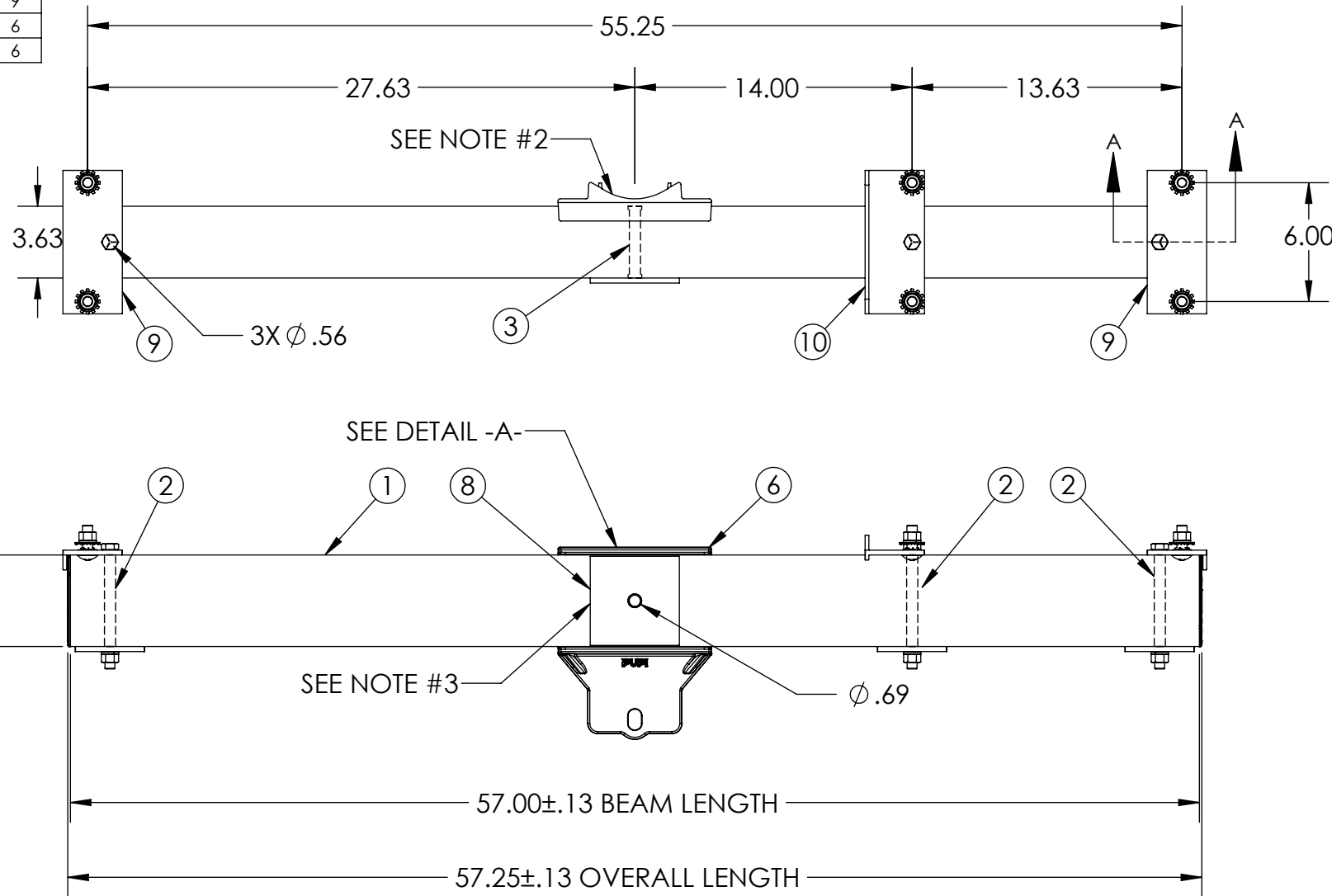
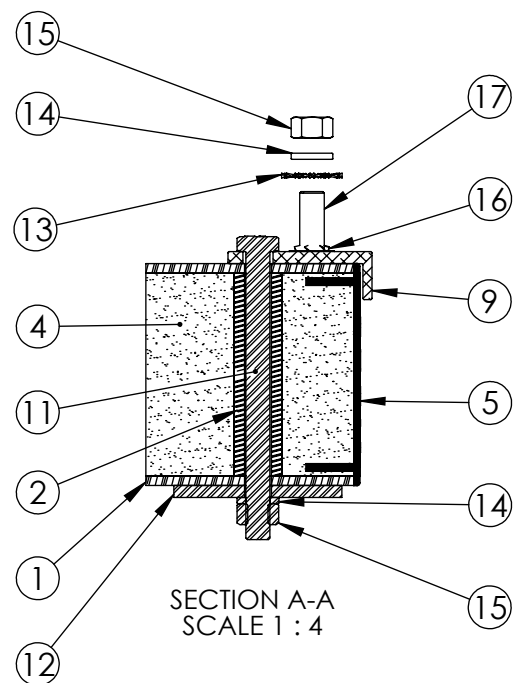
C

B

B

A

A



NOTES:

- CENTER OF MOUNT HOLE(S) TO HOLES TOLERANCE ± 0.06
- NOT SHOWN ARE 2X HS0164-0001, WHICH ARE USED TO FASTEN MOUNT TO THE BACK OF BEAM
- SQUARE WASHER SW0688-0022 IS SHIPPED SEPARATELY

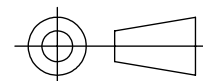
-----UNLESS OTHERWISE SPECIFIED-----
DIMENSIONS ARE IN INCHES
INTERPRET DIM AND TOL PER ASME Y14.5-2009
ANGULAR: MACH $\pm 2^\circ$
BEND $\pm 2^\circ$
TWO PLACE DECIMAL ± 0.02
THREE PLACE DECIMAL ± 0.005

PROPRIETARY AND CONFIDENTIAL
THE INFORMATION CONTAINED IN THIS DRAWING IS THE SOLE PROPERTY OF GEOTEK. ANY REPRODUCTION IN PART OR AS A WHOLE WITHOUT THE WRITTEN PERMISSION OF GEOTEK IS PROHIBITED.

STATE:	APPROVED	2014-08-21
DRAWN:	RAF	2014-07-24
CHECKED:	LPB	2014-08-21
APPROVED:	LPB	2014-08-21
MATERIAL:		

FINISH:	
REPLACES:	

THIRD ANGLE PROJECTION



	1421 SECOND AVE NW STEWARTVILLE, MN 55976 (800) 533-1680 www.geotekinc.com
	DESCRIPTION: EQUIPMENT ARM ASSEMBLY SERIES 2200, 57 in

SIZE:	DWG. NO.	REV:
B	EZ22000570012	0.0
SCALE: 1:8	WEIGHT: 23.69 LBS	SHEET 1 OF 1