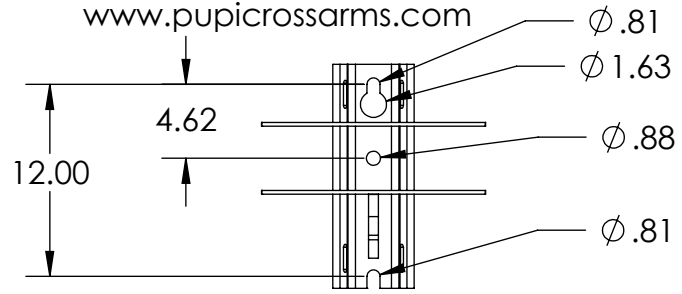


| ITEM NO. | PART NUMBER | DESCRIPTION             | DESCRIPTION 2            | QTY |
|----------|-------------|-------------------------|--------------------------|-----|
| 1        | FB-144-44-2 | BEAM, PULTRUDED STOCK   | SERIES 44 x 144 in, GRAY | 1   |
| 2        | TG0813-0054 | BUSHING                 | 13/16 in x 3-1/4 in      | 2   |
| 3        | TG0813-0053 | BUSHING                 | 13/16 in x 5-1/4 in      | 4   |
| 4        | TG0688-0052 | BUSHING                 | 11/16 in x 3-1/4 in      | 4   |
| 5        | FOAM        | -                       | -                        | 1   |
| 6        | EC40-0006-2 | END CAP                 | SERIES 4000, GRAY        | 2   |
| 7        | DM-0006     | MOUNT ASSEMBLY, DEADEND | 4KLH                     | 1   |
| 8        | HB0750-0003 | HEX BOLT                | 3/4 in - 10 x 6 in       | 2   |
| 9        | LW0750-0001 | LOCK WASHER             | 3/4 in                   | 6   |
| 10       | HN0750-0001 | HEX NUT                 | 3/4 in - 10              | 2   |
| 11       | SW0813-0005 | SQUARE WASHER           | 13/16 in, 4 in x 3/8 in  | 8   |
| 12       | EN0750-0002 | EYE NUT                 | 3/4 in - 10              | 8   |
| 13       | TR0750-0003 | THREADED ROD            | 3/4 in - 10 x 9-1/2 in   | 4   |

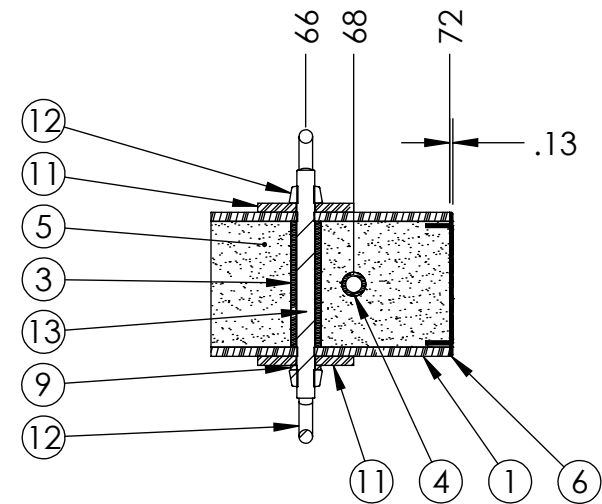
**PUPI**<sup>®</sup>

www.pupicrossarms.com

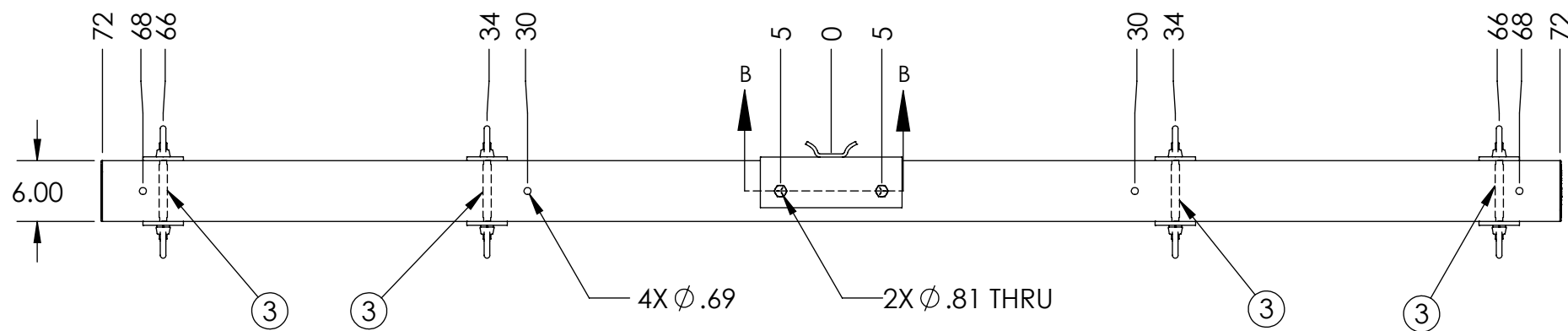
| REVISIONS |  |            |          |
|-----------|--|------------|----------|
| REV.      | DESCRIPTION                                    | DATE       | INITIALS |
| 1.0       | ADD REPLACES PREVIOUS ITEM NOTE IN TITLE BLOCK | 2011-11-30 | EFH      |
| 1.1       | REDRAWN IN SOLIDWORKS                          | 2013-02-21 | RAF      |



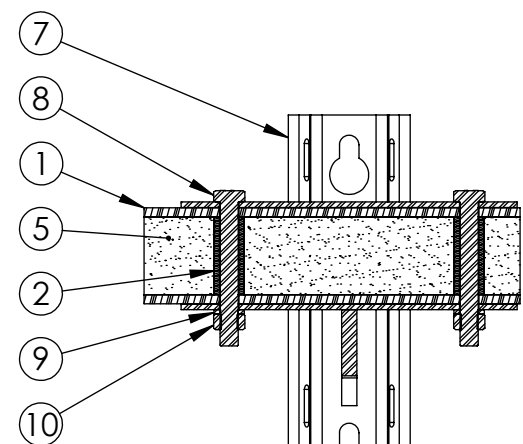
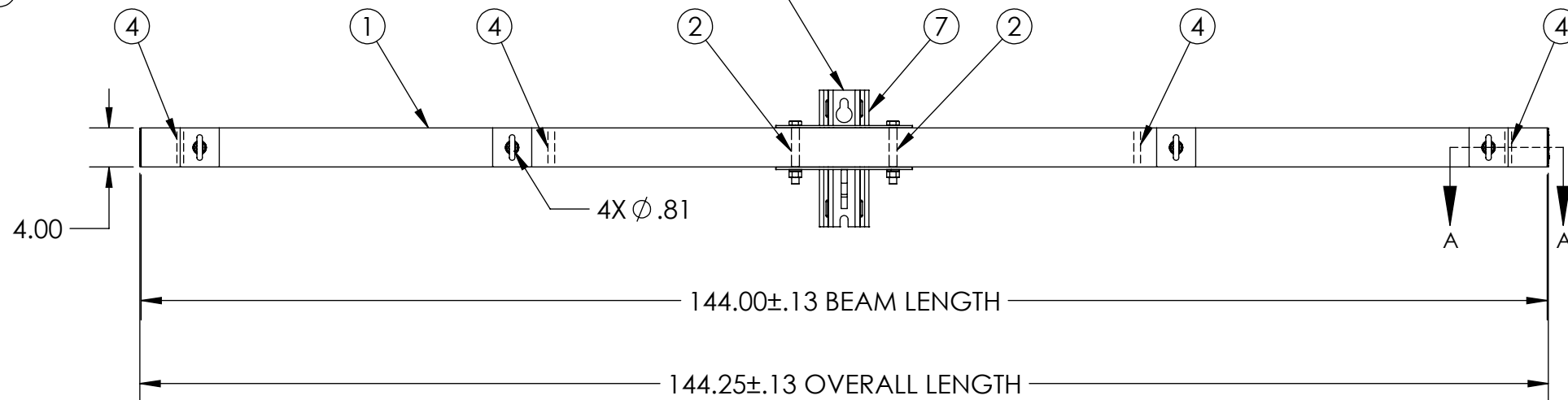
DETAIL -A-  
SCALE 1:12



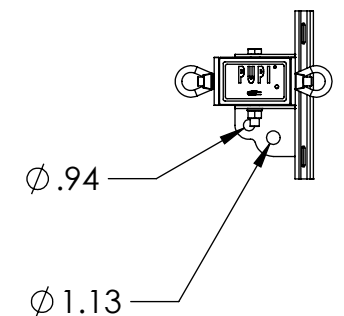
SECTION A-A  
SCALE 1:8



SEE DETAIL -A-



SECTION B-B  
SCALE 1:8



NOTES:  
1. CENTER OF MOUNT HOLE(S) TO HOLES TOLERANCE ±0.06

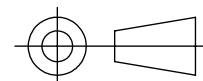
-----UNLESS OTHERWISE SPECIFIED-----  
DIMENSIONS ARE IN INCHES  
INTERPRET DIM AND TOL PER ASME Y14.5-2009  
ANGULAR: MACH ±2°  
BEND ±2°  
TWO PLACE DECIMAL ±0.02  
THREE PLACE DECIMAL ±0.005

**PROPRIETARY AND CONFIDENTIAL**  
THE INFORMATION CONTAINED IN THIS DRAWING IS  
THE SOLE PROPERTY OF GEOTEK. ANY REPRODUCTION  
IN PART OR AS A WHOLE WITHOUT THE WRITTEN  
PERMISSION OF GEOTEK IS PROHIBITED.

STATE: RELEASED 2013-03-08  
DRAWN: RAF 2013-02-21  
CHECKED: BRH 2013-03-08  
APPROVED: BRH 2013-03-08  
MATERIAL:

FINISH:  
REPLACES:  
DA44-144E4-SPX

THIRD ANGLE PROJECTION



1421 SECOND AVE NW  
STEWARTVILLE, MN 55976  
(800) 533-1680  
www.geotekinc.com

DESCRIPTION:  
**DEADEND ASSEMBLY, SERIES 44**  
**144 in, PUPI SPX**

SIZE: DWG. NO.  
**B DA4400144E4SPX2**

SCALE: 1:16 WEIGHT: 112.27 LBS

REV:  
**1.1**

SHEET 1 OF 1