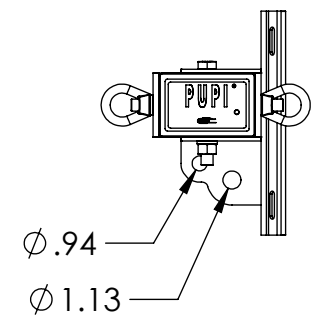
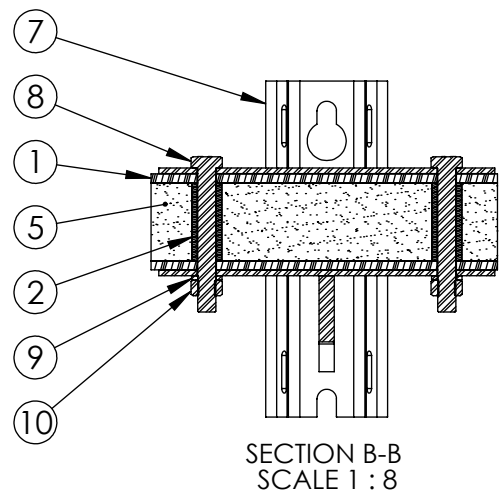
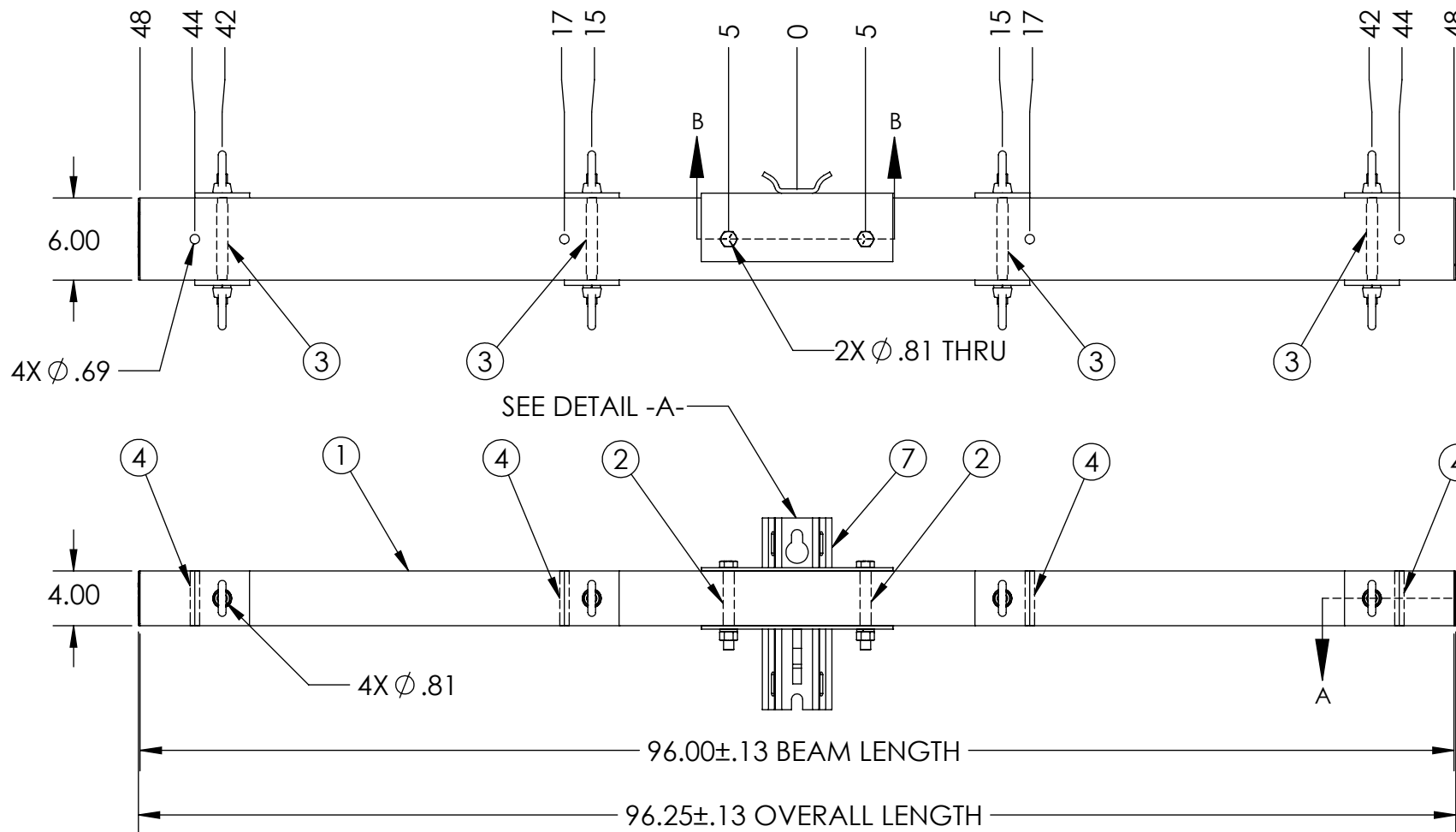
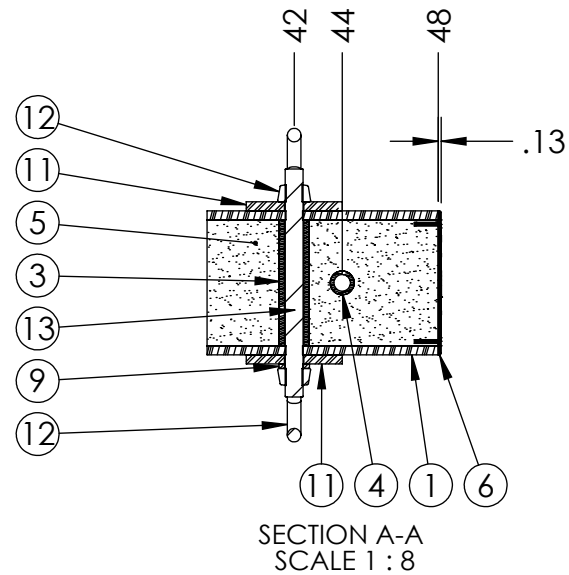
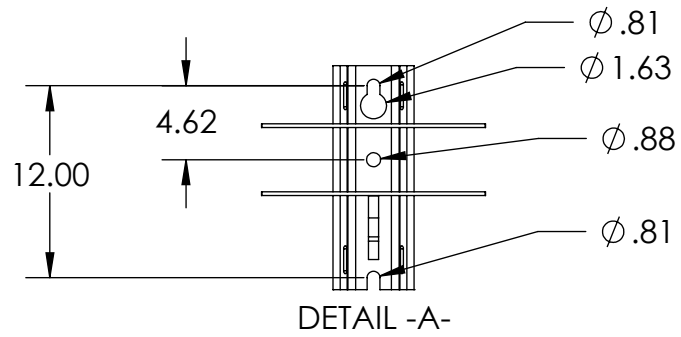


ITEM NO.	PART NUMBER	DESCRIPTION	DESCRIPTION 2	QTY
1	FB-096-44-2	BEAM, PULTRUDED STOCK	SERIES 44 x 96 in, GRAY	1
2	TG0813-0054	BUSHING	13/16 in x 3-1/4 in	2
3	TG0813-0053	BUSHING	13/16 in x 5-1/4 in	4
4	TG0688-0052	BUSHING	11/16 in x 3-1/4 in	4
5	FOAM	-	-	1
6	EC40-0006-2	END CAP	SERIES 4000, GRAY	2
7	DM-0006	MOUNT ASSEMBLY, DEADEND	4KLH	1
8	HB0750-0003	HEX BOLT	3/4 in - 10 x 6 in	2
9	LW0750-0001	LOCK WASHER	3/4 in	6
10	HN0750-0001	HEX NUT	3/4 in - 10	2
11	SW0813-0005	SQUARE WASHER	13/16 in, 4 in x 3/8 in	8
12	EN0750-0002	EYE NUT	3/4 in - 10	8
13	TR0750-0003	THREADED ROD	3/4 in - 10 x 9-1/2 in	4

PUPI[®]
www.pupicrossarms.com

REVISIONS			
REV.	DESCRIPTION	DATE	INITIALS
1.0	ADD REPLACES PREVIOUS ITEM NOTE IN TITLE BLOCK	2011-11-30	EFH
1.1	REDRAWN IN SOLIDWORKS	2013-02-21	RAF



NOTES:
1. CENTER OF MOUNT HOLE(S) TO HOLES TOLERANCE ± 0.06

<p>-----UNLESS OTHERWISE SPECIFIED----- DIMENSIONS ARE IN INCHES INTERPRET DIM AND TOL PER ASME Y14.5-2009 ANGULAR: MACH $\pm 2^\circ$ BEND $\pm 2^\circ$ TWO PLACE DECIMAL ± 0.02 THREE PLACE DECIMAL ± 0.005</p>	<p>STATE: RELEASED 2013-03-08 DRAWN: RAF 2013-02-21 CHECKED: BRH 2013-03-08 APPROVED: BRH 2013-03-08 MATERIAL:</p>	<p>GEOTEK A Whole New World of Composites 1421 SECOND AVE NW STEWARTVILLE, MN 55976 (800) 533-1680 www.geotekinc.com</p>		
	<p>FINISH:</p>		<p>DESCRIPTION: DEADEND ASSEMBLY, SERIES 44 96 in, PUPI B7X</p>	
<p>PROPRIETARY AND CONFIDENTIAL THE INFORMATION CONTAINED IN THIS DRAWING IS THE SOLE PROPERTY OF GEOTEK. ANY REPRODUCTION IN PART OR AS A WHOLE WITHOUT THE WRITTEN PERMISSION OF GEOTEK IS PROHIBITED.</p>	<p>REPLACES: DA44-96E4-B7X</p>	<p>THIRD ANGLE PROJECTION</p>	<p>SIZE: DWG. NO. B DA4400096E4B7X2</p>	<p>REV: 1.1</p>
<p>SCALE: 1:12 WEIGHT: 90.11 LBS</p>		<p>SHEET 1 OF 1</p>		