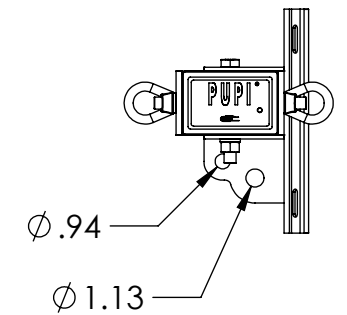
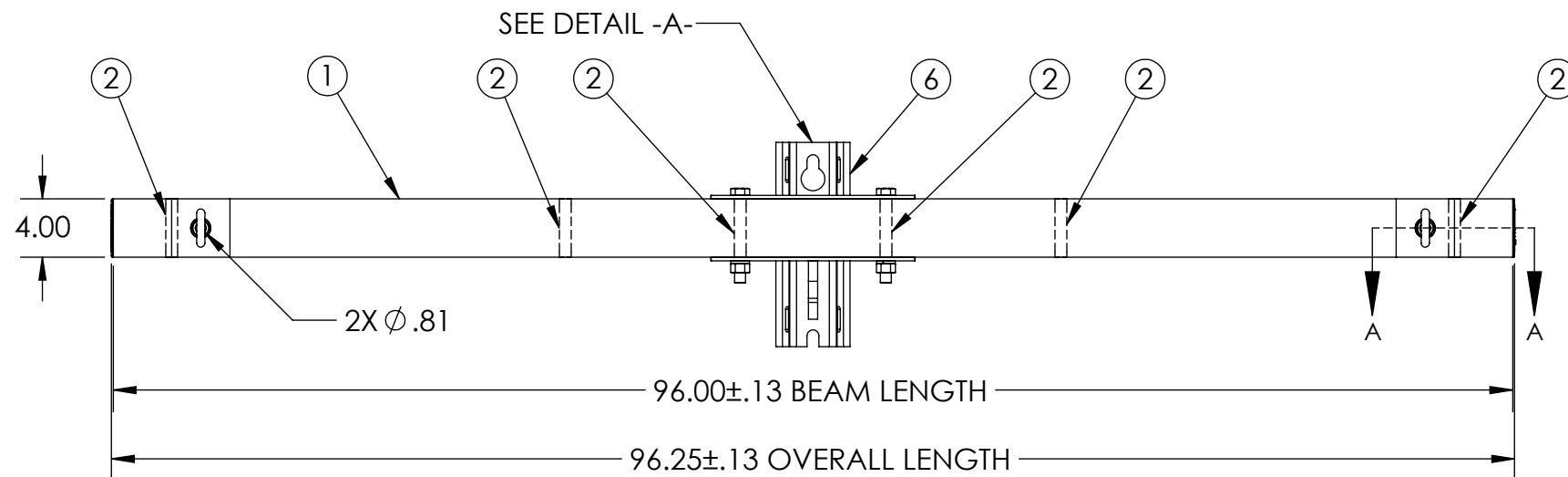
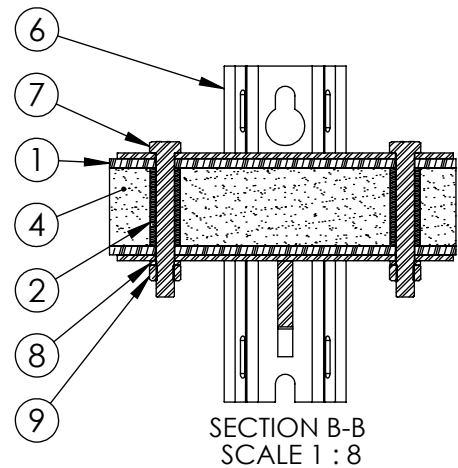
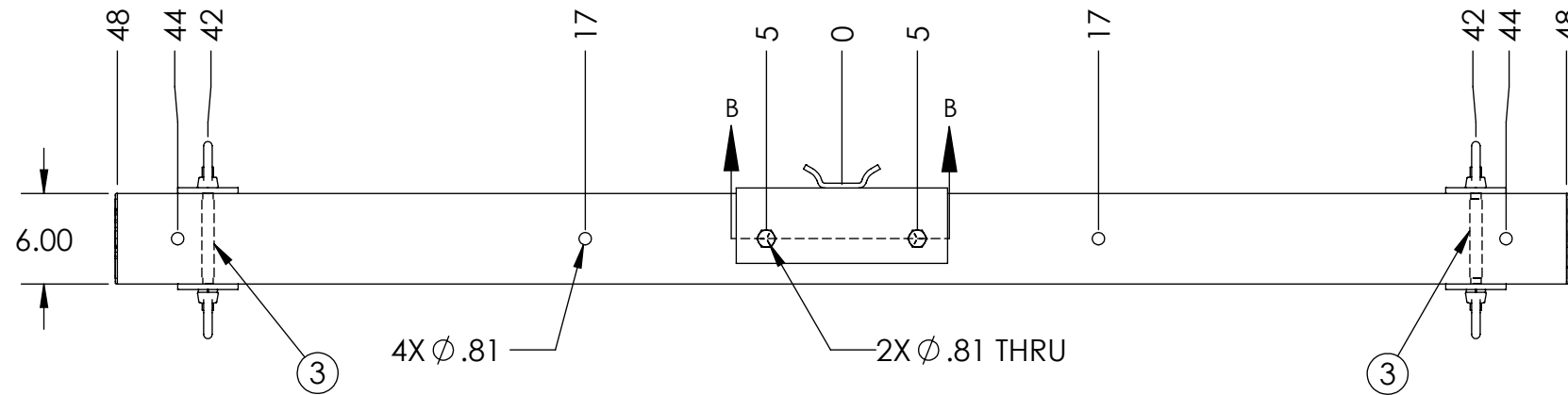
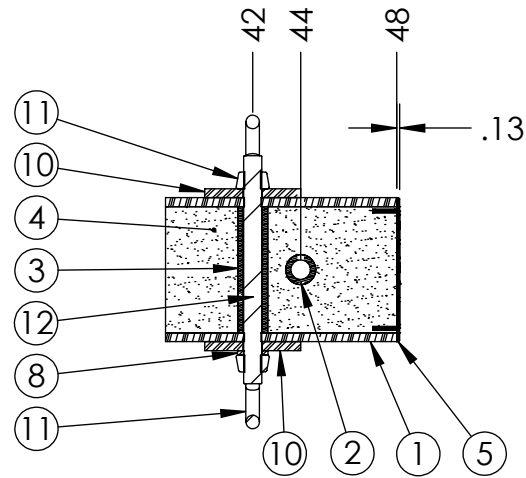
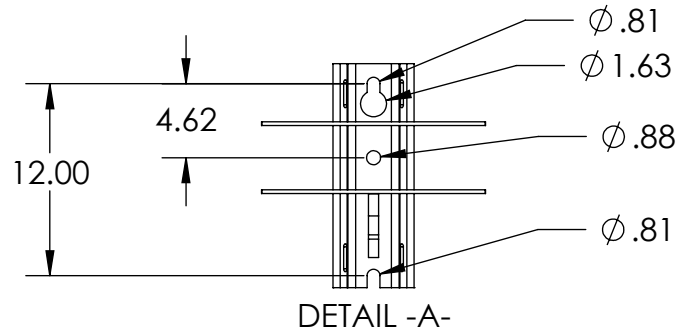


ITEM NO.	PART NUMBER	DESCRIPTION	DESCRIPTION 2	QTY
1	FB-096-4000-2	BEAM, PULTRUDED STOCK	SERIES 4000 x 96 in, GRAY	1
2	TG0813-0054	BUSHING	13/16 in x 3-1/4 in	6
3	TG0813-0053	BUSHING	13/16 in x 5-1/4 in	2
4	FOAM	-	-	1
5	EC40-0006-2	END CAP	SERIES 4000, GRAY	2
6	DM-0006	MOUNT ASSEMBLY, DEADEND	4KLH	1
7	HB0750-0003	HEX BOLT	3/4 in - 10 x 6 in	2
8	LW0750-0001	LOCK WASHER	3/4 in	4
9	HN0750-0001	HEX NUT	3/4 in - 10	2
10	SW0813-0005	SQUARE WASHER	13/16 in, 4 in x 3/8 in	4
11	EN0750-0002	EYE NUT	3/4 in - 10	4
12	TR0750-0003	THREADED ROD	3/4 in - 10 x 9-1/2 in	2

PUPI[®]
www.pupicrossarms.com

REVISIONS			
REV.	DESCRIPTION	DATE	INITIALS
1.0	ADD REPLACES DRAWING NUMBER IN TITLE BLOCK	2011-11-08	EFH
2.0	ADD REPLACES PREVIOUS ITEM NOTE IN TITLE BLOCK	2011-11-30	EFH
2.1	REDRAWN IN SOLIDWORKS	2013-02-19	RAF
2.2	MINOR FORMAT UPDATE	2013-04-10	BRH



NOTES:
1. CENTER OF MOUNT HOLE(S) TO HOLES TOLERANCE ± 0.06

<p>-----UNLESS OTHERWISE SPECIFIED----- DIMENSIONS ARE IN INCHES INTERPRET DIM AND TOL PER ASME Y14.5-2009 ANGULAR: MACH $\pm 2^\circ$ BEND $\pm 2^\circ$ TWO PLACE DECIMAL ± 0.02 THREE PLACE DECIMAL ± 0.005</p>	<p>STATE: RELEASED 2014-02-25 DRAWN: RAF 2013-02-19 CHECKED: BRH 2013-04-10 APPROVED: BRH 2014-02-25 MATERIAL: FINISH: REPLACES: DA4000-96E2-B7X</p>	<p>GEOTEK A Whole New World of Composites 1421 SECOND AVE NW STEWARTVILLE, MN 55976 (800) 533-1680 www.geotekinc.com</p>
	<p>DESCRIPTION: DEADEND ASSEMBLY, SERIES 4000 96 in, PUPI B7X</p>	
<p>PROPRIETARY AND CONFIDENTIAL THE INFORMATION CONTAINED IN THIS DRAWING IS THE SOLE PROPERTY OF GEOTEK. ANY REPRODUCTION IN PART OR AS A WHOLE WITHOUT THE WRITTEN PERMISSION OF GEOTEK IS PROHIBITED.</p>	<p>THIRD ANGLE PROJECTION</p>	<p>SIZE: DWG. NO. B DA4000096E2B7X2 SCALE: 1:12 WEIGHT: 80.37 LBS</p>
		<p>REV: 2.2 SHEET 1 OF 1</p>