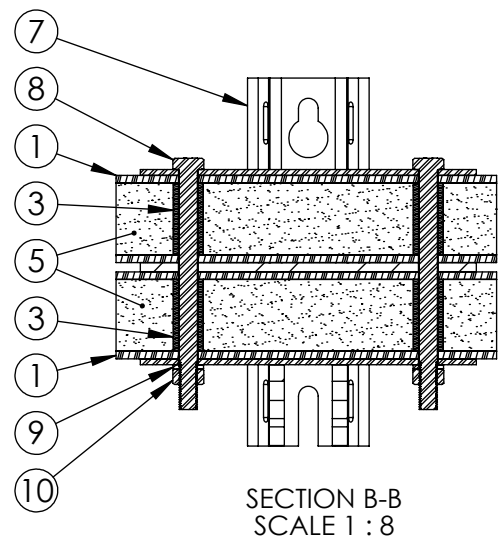
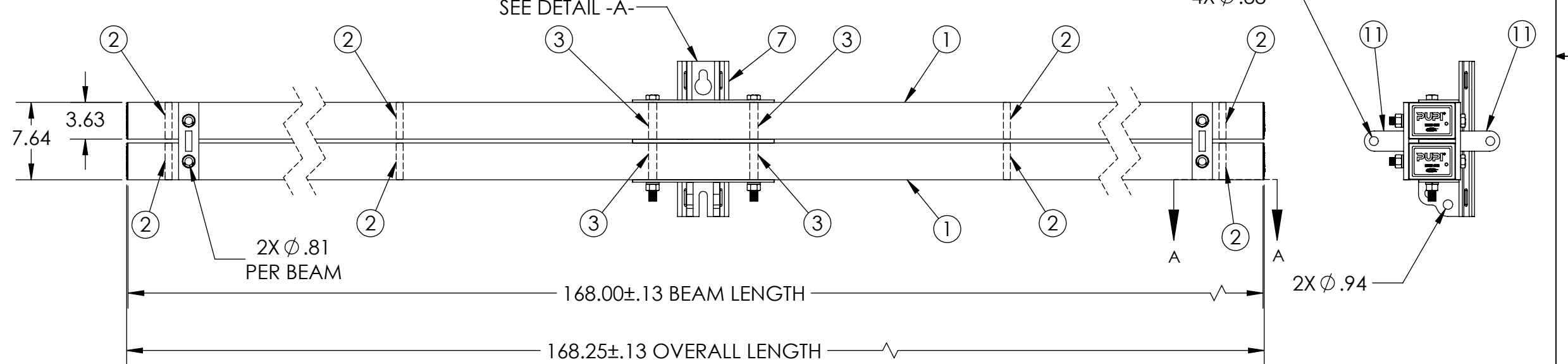
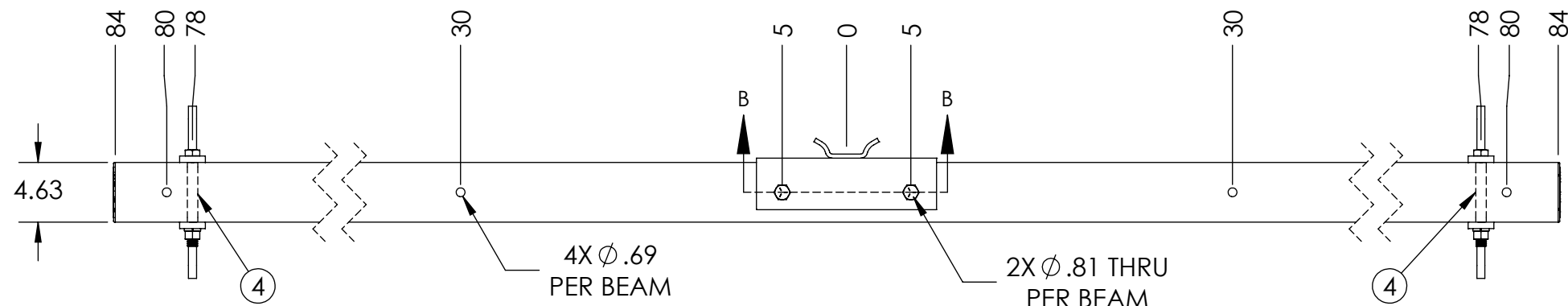
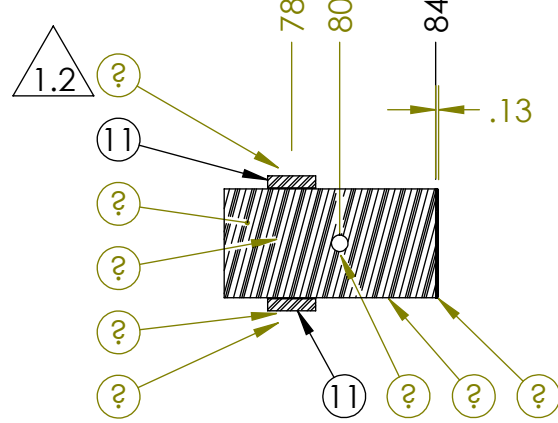
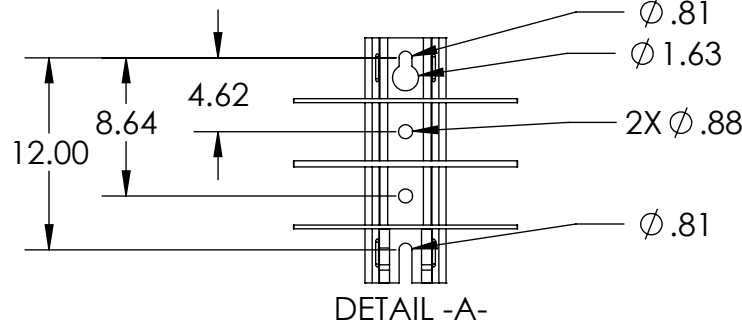


ITEM NO.	PART NUMBER	DESCRIPTION	DESCRIPTION 2	QTY
1	FB-168-3000-2	BEAM, PULTRUDED STOCK	SERIES 3000 x 168 in, GRAY	2
2	TG0688-0040	BUSHING	11/16 in x 3 in	8
3	TG0813-0042	BUSHING	13/16 in x 3 in	4
4	TG0813-0041	BUSHING	13/16 in x 3-15/16 in	4
5	FOAM	-	-	2
6	EC30-0002-2	END CAP	SERIES 3000, GRAY	4
7	DM-0015	MOUNT ASSEMBLY, DEADEND	DE2	1
8	HB0750-0007	HEX BOLT	3/4 in - 10 x 10 in	2
9	LW0750-0001	LOCK WASHER	3/4 in	6
10	HN0750-0001	HEX NUT	3/4 in - 10	6
11	BK-0002	BRACKET ASSEMBLY, DE2		4
12	HB0750-0012	HEX BOLT	3/4 in - 10 x 7 in	4

PUPI[®]
www.pupicrossarms.com

REVISIONS			
REV.	DESCRIPTION	DATE	INITIALS
1.0	ADDED REPLACES PREVIOUS ITEM NOTE IN TITLE BLOCK	2011-11-30	EFH
1.1	REDRAWN IN SOLIDWORKS	2013-02-20	RAF
1.2	REPLACE HB0750-0004 WITH HB0750-0012, CHANGE DRAWING FORMAT	2015-03-11	RAF



NOTES:
1. CENTER OF MOUNT HOLE(S) TO HOLES TOLERANCE ±0.06

-----UNLESS OTHERWISE SPECIFIED-----
DIMENSIONS ARE IN INCHES
INTERPRET DIM AND TOL PER ASME Y14.5-2009
ANGULAR: MACH ±2°
BEND ±2°
TWO PLACE DECIMAL ±0.02
THREE PLACE DECIMAL ±0.005

STATE: RELEASED 2015-03-17
DRAWN: RAF 2013-02-20
CHECKED: ENG 2015-03-17
APPROVED: ENG 2015-03-17
MATERIAL:
FINISH:
REPLACES: DA3200-168E2-SPX

THIRD ANGLE PROJECTION

PROPRIETARY AND CONFIDENTIAL
THE INFORMATION CONTAINED IN THIS DRAWING IS THE SOLE PROPERTY OF GEOTEK. ANY REPRODUCTION IN PART OR AS A WHOLE WITHOUT THE WRITTEN PERMISSION OF GEOTEK IS PROHIBITED.

GEOTEK
A Whole New World of Composites

1421 SECOND AVE NW
STEWARTVILLE, MN 55976
(800) 533-1680
www.geotekinc.com

DESCRIPTION:
DEADEND ASSEMBLY, SERIES 3000
168 in, PUPI SPX

SIZE: DWG. NO. **B DA3020168E2SPX2** REV: **1.2**

SCALE: 1:12 WEIGHT: 166.55 LBS SHEET 1 OF 1