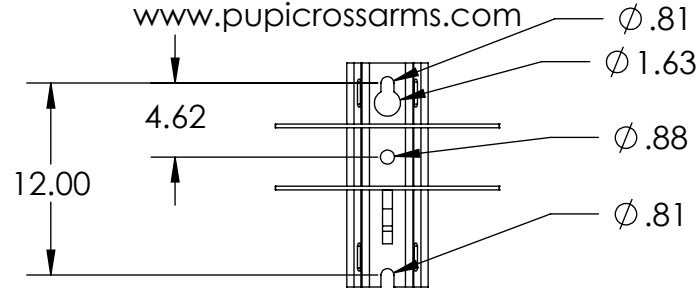


ITEM NO.	PART NUMBER	DESCRIPTION	DESCRIPTION 2	QTY
1	FB-144-3000-2	BEAM, PULTRUDED STOCK	SERIES 3000 x 144 in, GRAY	1
2	TG0813-0042	BUSHING	13/16 in x 3 in	6
3	TG0813-0041	BUSHING	13/16 in x 3-15/16 in	4
4	FOAM	-	-	1
5	EC30-0002-2	END CAP	SERIES 3000, GRAY	2
6	DM-0033	MOUNT ASSEMBLY, DEADEND	HDLH	1
7	HB0750-0001	HEX BOLT	3/4 in - 10 x 5-1/2 in	2
8	LW0750-0001	LOCK WASHER	3/4 in	6
9	HN0750-0001	HEX NUT	3/4 in - 10	2
10	SW0813-0003	SQUARE WASHER	13/16 in, 3-1/2 in x 3/8 in	8
11	EN0750-0002	EYE NUT	3/4 in - 10	8
12	TR0750-0002	THREADED ROD	3/4 in - 10 x 8 in	4

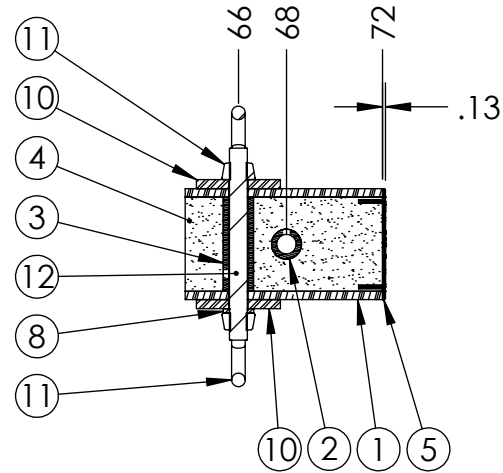
PUPI®

www.pupicrossarms.com

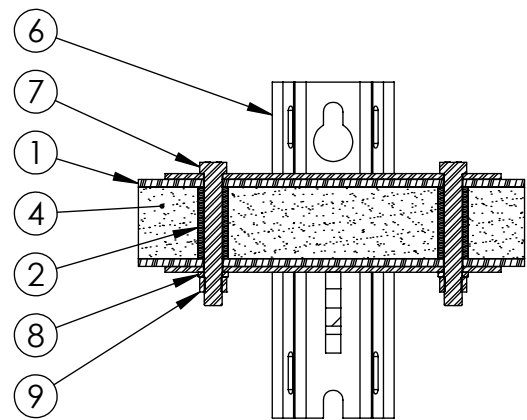
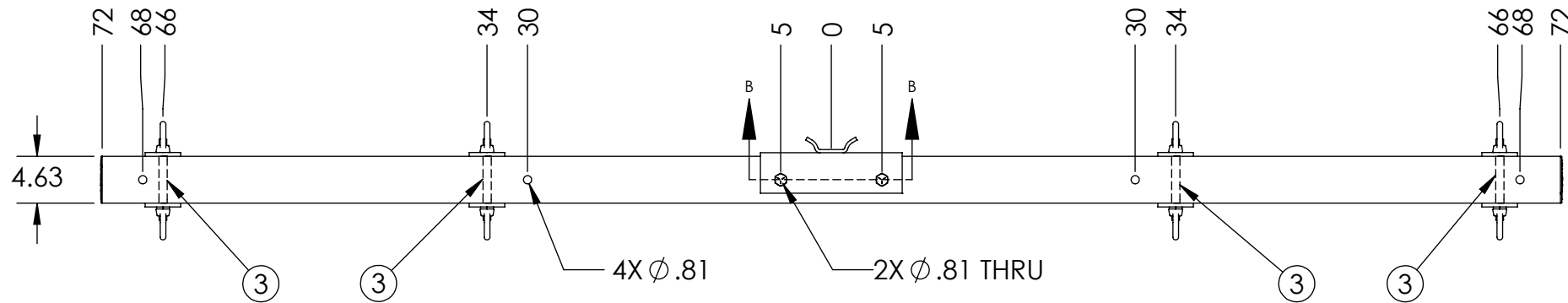


DETAIL -A-
SCALE 1:12

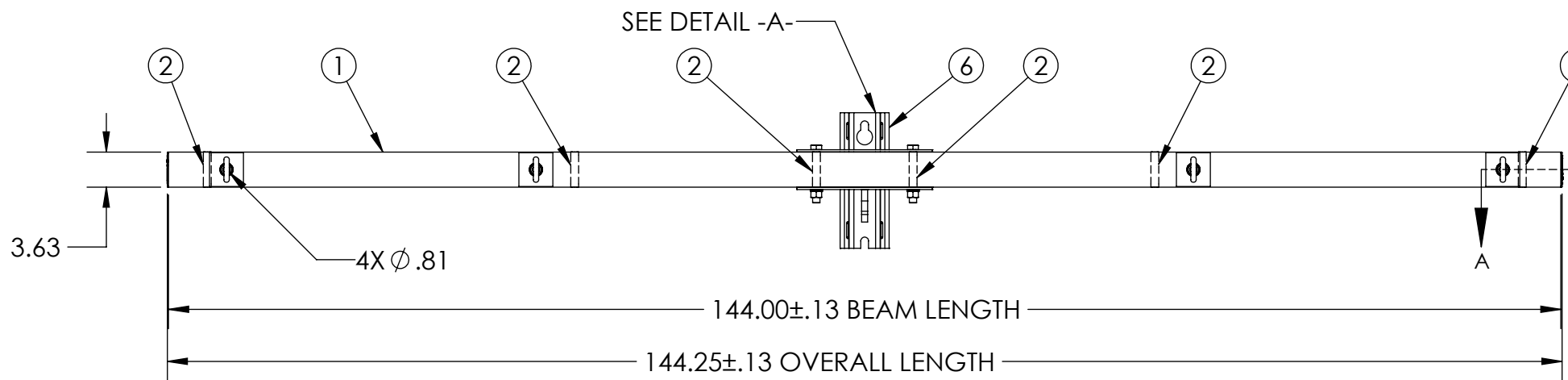
REVISIONS			
REV.	DESCRIPTION	DATE	INITIALS
1.0	ADDED REPLACES PREVIOUS ITEM NOTE IN TITLE BLOCK	2011-11-29	EFH
1.1	REDRAWN IN SOLIDWORKS	2013-02-19	RAF



SECTION A-A
SCALE 1:8



SECTION B-B
SCALE 1:8



NOTES:
1. CENTER OF MOUNT HOLE(S) TO HOLES TOLERANCE ±0.06

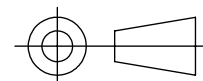
-----UNLESS OTHERWISE SPECIFIED-----
DIMENSIONS ARE IN INCHES
INTERPRET DIM AND TOL PER ASME Y14.5-2009
ANGULAR: MACH ±2°
BEND ±2°
TWO PLACE DECIMAL ±0.02
THREE PLACE DECIMAL ±0.005

PROPRIETARY AND CONFIDENTIAL
THE INFORMATION CONTAINED IN THIS DRAWING IS
THE SOLE PROPERTY OF GEOTEK. ANY REPRODUCTION
IN PART OR AS A WHOLE WITHOUT THE WRITTEN
PERMISSION OF GEOTEK IS PROHIBITED.

STATE: RELEASED 2013-03-13
DRAWN: RAF 2013-02-19
CHECKED: BRH 2013-03-13
APPROVED: BRH 2013-03-13

MATERIAL:
FINISH:
REPLACES:
DA3000-144E4-SPX

THIRD ANGLE PROJECTION



GEOTEK
A Whole New World of Composites
1421 SECOND AVE NW
STEWARTVILLE, MN 55976
(800) 533-1680
www.geotekinc.com

DESCRIPTION:
DEADEND ASSEMBLY, SERIES 3000
144 in, PUPI SPX

SIZE: DWG. NO. **B DA3000144E4SPX2** REV: **1.1**
SCALE: 1:16 WEIGHT: 89.87 LBS SHEET 1 OF 1