

8

7

6

5

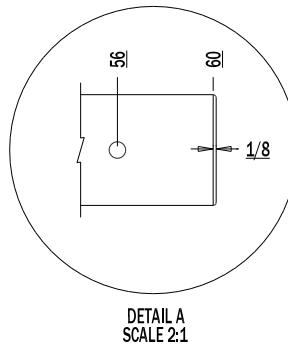
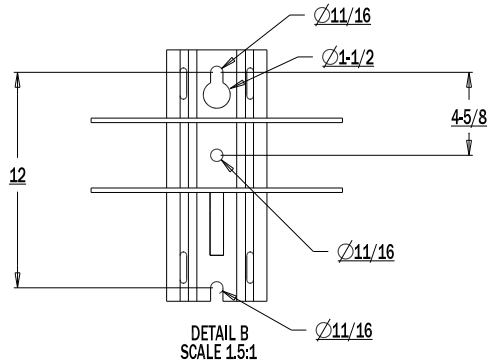
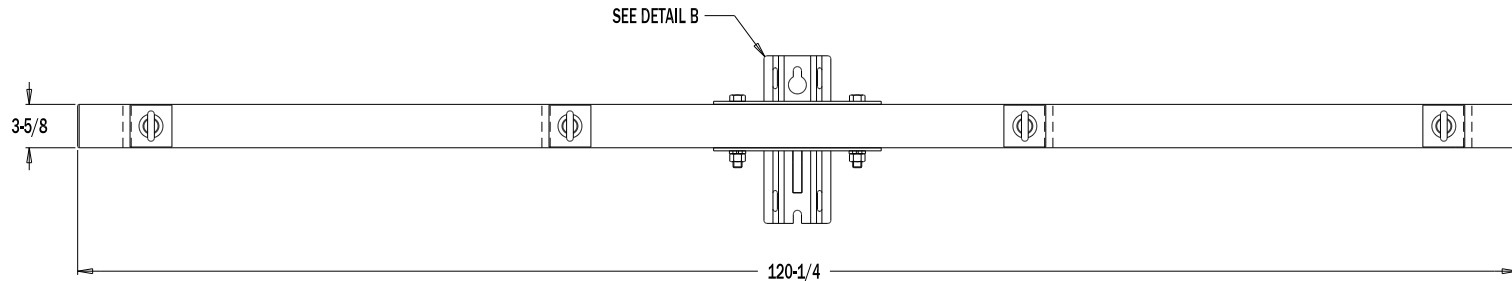
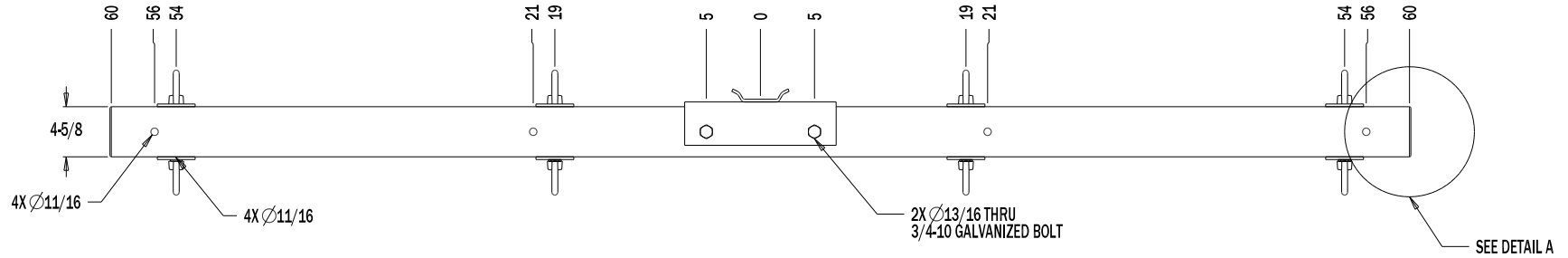
4

3

2

1

REVISIONS			
REV	DESCRIPTION	DATE	NAME
1	ADDED REPLACES PREVIOUS ITEM NOTE IN TITLE BLOCK	29-NOV-11	EFH



PUP DIVISION, GEOTEK PROPRIETARY INFORMATION, CONFIDENTIAL, DO NOT DUPLICATE.		GEOTEK (507) 533-6076 1421 2ND AVENUE NW, STEWARTVILLE, MN 55976		
		<h1>DA2000120E4B9X2</h1>		
DRAWN BY EFH	SIZE A	FSCM NO. NONE	DWG NO. DA2000120E4B9X2	REV 1
DATE 29-NOV-11	SCALE 1/16:1	REPLACES DA2000-120E4-B9X	SHEET 1 OF 1	

8

7

6

5

4

3

2

1