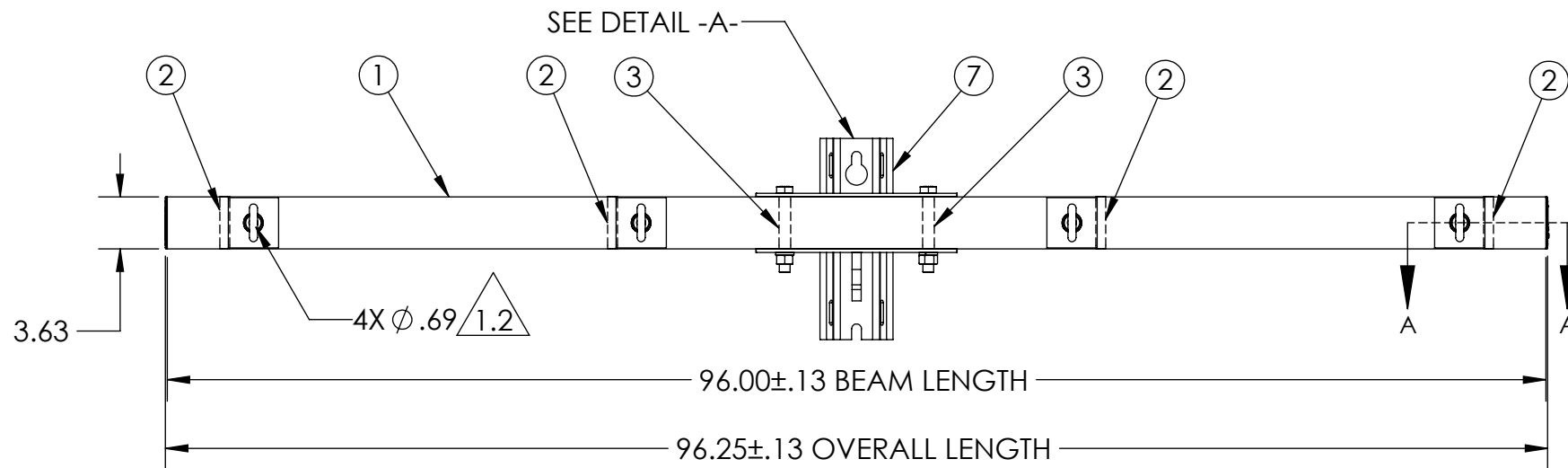
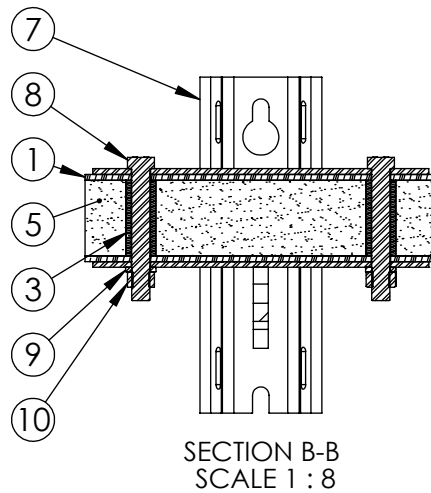
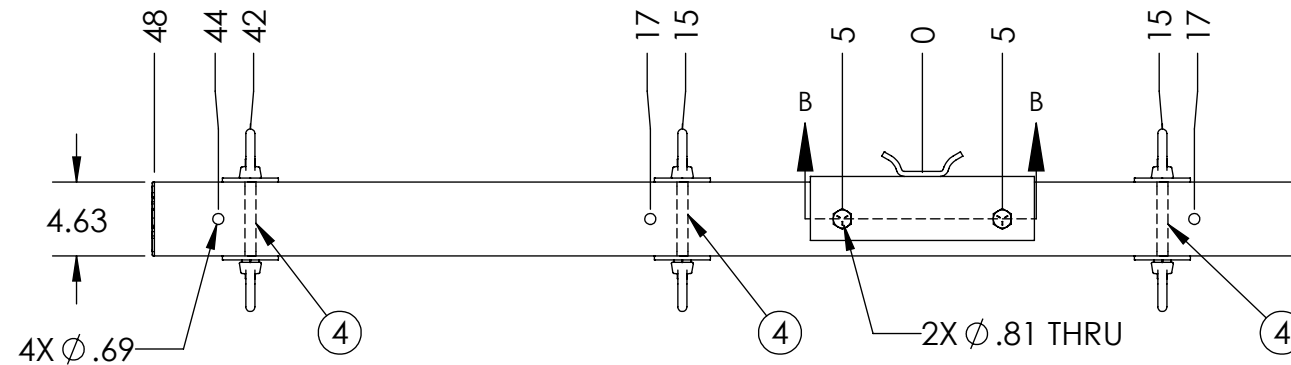
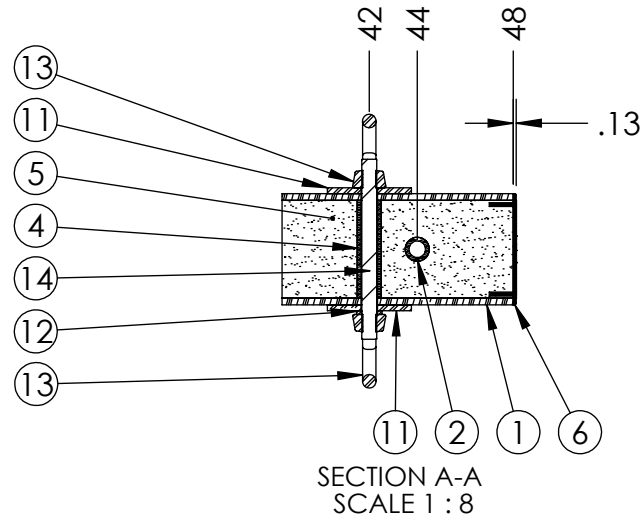
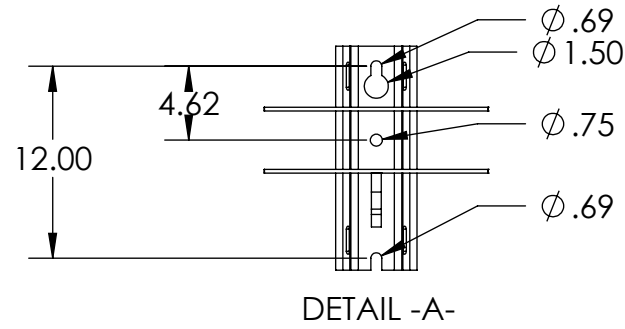


ITEM NO.	PART NUMBER	DESCRIPTION	DESCRIPTION 2	QTY
1	FB-096-2000-2	BEAM, PULTRUDED STOCK	SERIES 2000 x 96 in, GRAY	1
2	TG0688-0004	BUSHING	11/16 in x 3-1/8 in	4
3	TG0813-0006	BUSHING	13/16 in x 3-1/8 in	2
4	TG0688-0003	BUSHING	11/16 in x 4-1/16 in	4
5	FOAM	-	-	1
6	EC20-0001-2	END CAP	SERIES 2000, GRAY	2
7	DM-0046	MOUNT ASSEMBLY, DEADEND	HD	1
8	HB0750-0001	HEX BOLT	3/4 in - 10 x 5-1/2 in	2
9	LW0750-0001	LOCK WASHER	3/4 in	2
10	HN0750-0001	HEX NUT	3/4 in - 10	2
11	SW0688-0002	SQUARE WASHER	11/16 in, 3-1/2 in x 1/4 in	8
12	LW0625-0004	LOCK WASHER	5/8 in	4
13	EN0625-0003	EYE NUT	5/8 in - 11	8
14	TRO625-0001	THREADED ROD	5/8 in - 11 x 7-1/2 in	4

PUPI[®]
www.pupicrossarms.com

REVISIONS			
REV.	DESCRIPTION	DATE	INITIALS
1.0	ADDED REPLACES PREVIOUS ITEM NOTE IN TITLE BLOCK	2011-11-29	EFH
1.1	REDRAWN IN SOLIDWORKS	2013-02-18	RAF
1.2	CORRECT QUANTITY OF HOLES FROM 2 TO 4	2013-03-11	RAF



NOTES:
1. CENTER OF MOUNT HOLE(S) TO HOLES TOLERANCE ± 0.06

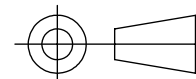
-----UNLESS OTHERWISE SPECIFIED-----
DIMENSIONS ARE IN INCHES
INTERPRET DIM AND TOL PER ASME Y14.5-2009
ANGULAR: MACH $\pm 2^\circ$
BEND $\pm 2^\circ$
TWO PLACE DECIMAL ± 0.02
THREE PLACE DECIMAL ± 0.005

PROPRIETARY AND CONFIDENTIAL
THE INFORMATION CONTAINED IN THIS DRAWING IS
THE SOLE PROPERTY OF GEOTEK. ANY REPRODUCTION
IN PART OR AS A WHOLE WITHOUT THE WRITTEN
PERMISSION OF GEOTEK IS PROHIBITED.

STATE: RELEASED 2013-03-11
DRAWN: RAF 2013-02-18
CHECKED: TSK 2013-03-11
APPROVED: TSK 2013-03-11

MATERIAL:
FINISH:
REPLACES:
DA2000-96E4-B7X

THIRD ANGLE PROJECTION



GEOTEK
A Whole New World of Composites
1421 SECOND AVE NW
STEWARTVILLE, MN 55976
(800) 533-1680
www.geotekinc.com

DESCRIPTION:
DEADEND ASSEMBLY, SERIES 2000
96 in, PUPI B7X

SIZE: DWG. NO.
B DA2000096E4B7X2

SCALE: 1:12 WEIGHT: 58.93 LBS

REV:
1.2

SHEET 1 OF 1