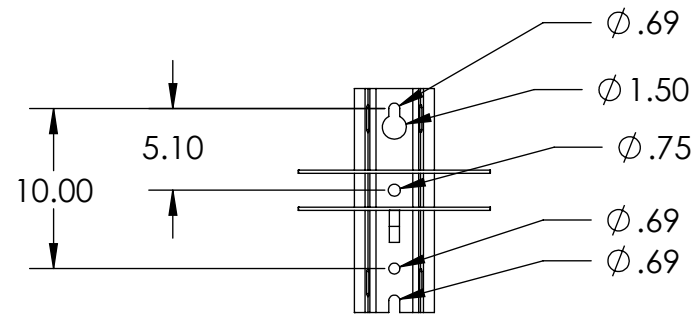


ITEM NO.	PART NUMBER	DESCRIPTION	DESCRIPTION 2	QTY.
1	FB-096-1000-2	BEAM, PULTRUDED STOCK	SERIES 1000 x 96 in, GRAY	1
2	TG0688-0016	BUSHING	11/16 in x 1-11/16 in	4
3	TG0813-0018	BUSHING	13/16 in x 1-11/16 in	2
4	TG0688-0015	BUSHING	11/16 in x 3-11/16 in	2
5	FOAM			1
6	EC10-0007-2	END CAP	SERIES 1000, GRAY	2
7	DM-0012	MOUNT ASSEMBLY, DEADEND	1K	1
8	HBO750-0005	HEX BOLT	3/4 in - 10 x 4 in	2
9	LW0750-0001	LOCK WASHER	3/4 in	2
10	HN0750-0001	HEX NUT	3/4 in - 10	2
11	SW0813-0006	SQUARE WASHER	13/16 in, 2 in x 1/4 in	4
12	LW0625-0004	LOCK WASHER	5/8 in	2
13	EN0625-0003	EYE NUT	5/8 in - 11	4
14	TR0625-0001	THREADED ROD	5/8 in - 11 x 7-1/2 in	2

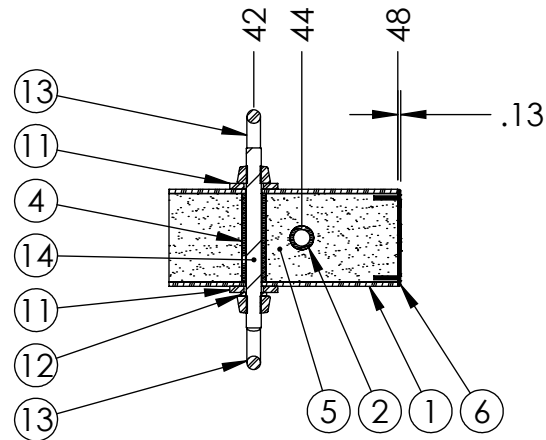
1.2

PUPI[®]
www.pupicrossarms.com

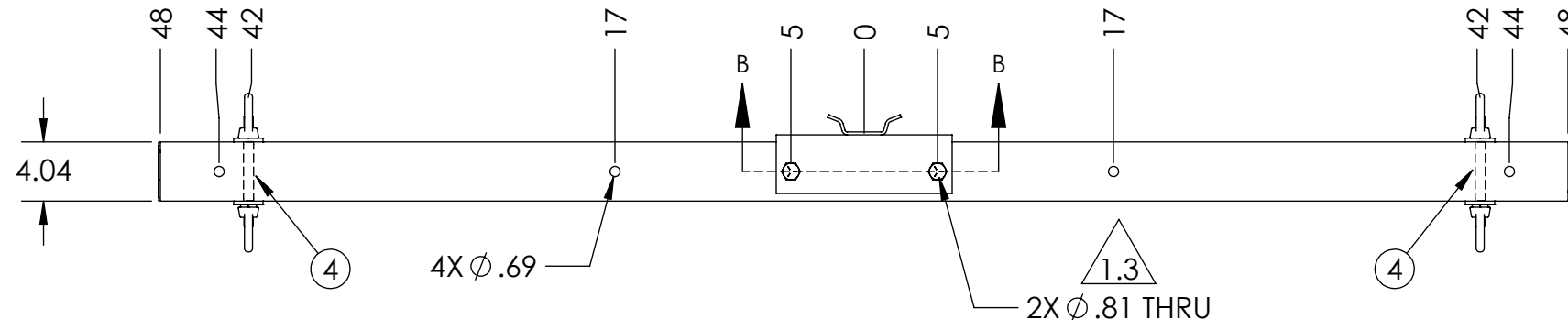
REVISIONS			
REV.	DESCRIPTION	DATE	INITIALS
1.0	ADDED REPLACES PREVIOUS ITEM NOTE IN TITLE BLOCK	2011-11-29	EFH
1.1	REDRAWN IN SOLIDWORKS	2013-01-25	RAF
1.2	CHANGED FORMATTING OF BOM	2013-03-08	BRH
1.3	ADD MISSING DIMENSIONS	2013-03-08	RAF



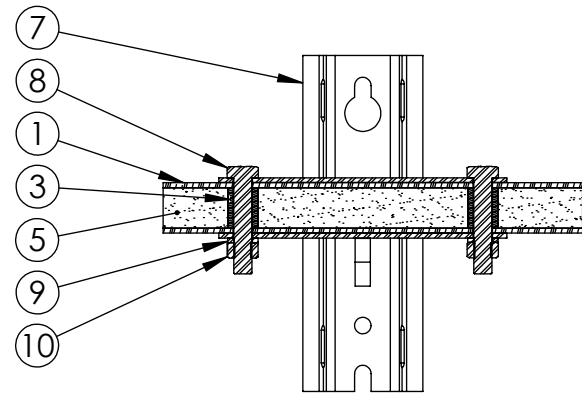
DETAIL -A-



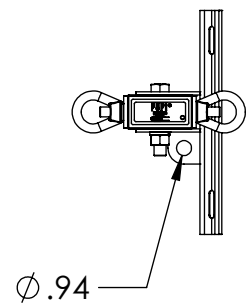
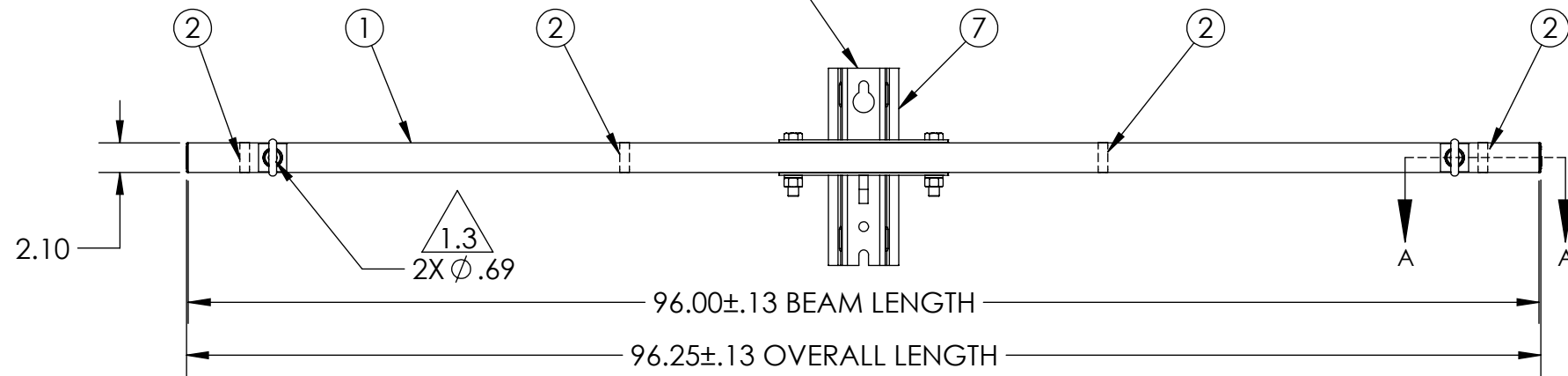
SECTION A-A
SCALE 1 : 8



SEE DETAIL -A-



SECTION B-B
SCALE 1 : 8



NOTES:
1. CENTER OF MOUNT HOLE(S) TO HOLES TOLERANCE ±0.06

<p>-----UNLESS OTHERWISE SPECIFIED----- DIMENSIONS ARE IN INCHES INTERPRET DIM AND TOL PER ASME Y14.5-2009 ANGULAR: MACH ±2° BEND ±2° TWO PLACE DECIMAL ±0.02 THREE PLACE DECIMAL ±0.005</p>	STATE: RELEASED 2013-03-08	<p>1421 SECOND AVE NW STEWARTVILLE, MN 55976 (800) 533-1680 www.geotekinc.com</p>
	<p>FINISH:</p> <p>REPLACES: DAT000-96E2-B7X</p>	
<p>PROPRIETARY AND CONFIDENTIAL THE INFORMATION CONTAINED IN THIS DRAWING IS THE SOLE PROPERTY OF GEOTEK. ANY REPRODUCTION IN PART OR AS A WHOLE WITHOUT THE WRITTEN PERMISSION OF GEOTEK IS PROHIBITED.</p>	<p>THIRD ANGLE PROJECTION</p>	<p>DESCRIPTION: DEADEND ASSEMBLY, SERIES 1000 96 in, PUPI B7X</p>
	<p>SCALE: 1:12</p> <p>WEIGHT: 31.37 LBS</p>	<p>SIZE: DWG. NO. B DA1000096E2B7X2</p>
		<p>REV: 1.3</p> <p>SHEET 1 OF 1</p>